



DIGI PLEX EVO

High Security and Access System
EVO48 V1.2
EVO192 V1.2

Programming Guide
Includes LCD Keypad
Programming


We hope this product performs to your complete satisfaction. Should you have any questions or comments, please visit www.paradox.com and send us your comments.

P  **R**  **D O X**[®]
S E C U R I T Y S Y S T E M S


New Remote Control Programming

Hardware Requirements


If the EVO48 System Includes:

 MG-RTX3 Wireless Expansion Module And EVO641 / EVO641R keypad	Up to 96 remote controls can now be programmed into the EVO control panel and configured using a master code or installer code. See "Remote Control Programming" on page 35.
--	---

If the EVO192 System Includes:

 MG-RTX3 Wireless Expansion Module And: EVO641 / EVO641R keypad	Up to 999 remote controls can now be programmed into the EVO control panel and configured using a master code or installer code. See "Remote Control Programming" on page 35.
---	--

If the System Includes:

 MG-RTX3 Wireless Expansion Module But does not include: EVO641 / EVO641R keypad	Remote controls must be stored in the wireless expansion module (32 remotes per MG-RTX3). See "SECTION [3029] : System Options 1" on page 36.
--	--



Hardware Differences

The programming for the EVO48 and EVO192 panels is identical. However, certain differences may affect how many elements can be programmed.

Feature	EVO48	EVO192
Zones	48	192
Partitions	4	8
Users	96	999
On-board PGMs	2 (with 2 optional PGM output and 1 optional relay)	5 (4 PGM outputs and 1 relay)
Modules	127	254

Table of Contents

Zone Programming	9	Dialer Options	38
Zone Information	10	Other Options	38
Keyswitch Programming	19	Communication Settings	39
Programmable Outputs	21	System Event Call Direction	40
User Code Options	29	VDMP3 Voice Module	41
Arming and Disarming Report Codes	30	Partition Settings	42
Access Control Sections	31	Special and Trouble Report Codes	48
Keypad Numbering	35	Other Settings and Modes	49
Remote Control Programming	35	Control Panel Hardware Connections	55
Control Panel Settings	36	LCD Keypad Programming	60
System Options	36	Trouble Display	68

 Warning or important information.	 Suggestion or reminder.
---	---

Things You Should Know

About This Programming Guide

This programming guide should be used in conjunction with the *EVO Reference & Installation Manual* which can be downloaded from our website at paradox.com. Use this guide to record the settings programmed for this console.

Installer Code (Default: 000000)

The Installer code is used to enter programming mode, which allows you to program all the features, options and commands of the EVO **except** user codes. To modify the installer code, refer to section [1000], *Installer Code Programming* on page 28.

System Master Code (Default: 1234 / 123456)

With the System Master code a user can use any arming method and can program user codes. The System Master code can be 4 or 6 digits in length.

Panel and Codes Reset

To reset the system back to the factory defaults or custom defaults (if they have been programmed), press and hold the Reset button and the Aux button for 4 seconds (See "PCB Layout" on page 65.)

Entering Programming Mode

- 1) Press and hold the [0] key
- 2) Enter your [installer code]
- 3) Enter 4-digit [section] you wish to program
- 4) Enter required [data]

Decimal and Hexadecimal Programming Table

Certain sections may require the entry of one or more Hexadecimal values from 0 to F.

For LCD keypads:

Key	Value or Action	Key	Value or Action
[0] to [9]	0 to 9 (Hex & Decimal)	[BYP]	E (Hex Only)
[STAY]	A (Hex Only)	[MEM]	F (Hex Only)
[FORCE]	B (Hex Only)	[CLEAR]	Exit section without saving (Hex & Decimal)
[ARM]	C (Hex Only)	[ENTER]	Save current data and advance to next section (Hex Only)
[DISARM]	D (Hex Only)		

For Grafica keypads:

[0] to [9]	= values 0 to 9 respectively	Right Action Key (Exit)	= Exit section without saving
[#]	= A to F (press the [#] key until the desired letter appears)	Center Action Key (Save)	= Save current data and advance to next section

Serial Number List

Module Type, Serial Number & Details	Module Type, Serial Number & Details	Module Type, Serial Number & Details	Module Type, Serial Number & Details
--------------------------------------	--------------------------------------	--------------------------------------	--------------------------------------

1: _____ 13: _____ 25: _____ 37: _____

2: _____ 14: _____ 26: _____ 38: _____

3: _____ 15: _____ 27: _____ 39: _____

4: _____ 16: _____ 28: _____ 40: _____

5: _____ 17: _____ 29: _____ 41: _____

6: _____ 18: _____ 30: _____ 42: _____

7: _____ 19: _____ 31: _____ 43: _____

8: _____ 20: _____ 32: _____ 44: _____

9: _____ 21: _____ 33: _____ 45: _____

10: _____ 22: _____ 34: _____ 46: _____

11: _____ 23: _____ 35: _____ 47: _____

12: _____ 24: _____ 36: _____ 48: _____

Module Type, Serial Number & Details	Module Type, Serial Number & Details	Module Type, Serial Number & Details	Module Type, Serial Number & Details
--------------------------------------	--------------------------------------	--------------------------------------	--------------------------------------

49: _____ 62: _____ 75: _____ 88: _____

50: _____ 63: _____ 76: _____ 89: _____

51: _____ 64: _____ 77: _____ 90: _____

52: _____ 65: _____ 78: _____ 91: _____

53: _____ 66: _____ 79: _____ 92: _____

54: _____ 67: _____ 80: _____ 93: _____

55: _____ 68: _____ 81: _____ 94: _____

56: _____ 69: _____ 82: _____ 95: _____

57: _____ 70: _____ 83: _____ 96: _____

58: _____ 71: _____ 84: _____ 97: _____

59: _____ 72: _____ 85: _____ 98: _____

60: _____ 73: _____ 86: _____ 99: _____

61: _____ 74: _____ 87: _____ 100: _____

Module Type, Serial Number & Details	Module Type, Serial Number & Details	Module Type, Serial Number & Details	Module Type, Serial Number & Details
--------------------------------------	--------------------------------------	--------------------------------------	--------------------------------------

101: _____ 114: _____ 127: _____ 140: _____

102: _____ 115: _____ 128: _____ 141: _____

103: _____ 116: _____ 129: _____ 142: _____

104: _____ 117: _____ 130: _____ 143: _____

105: _____ 118: _____ 131: _____ 144: _____

106: _____ 119: _____ 132: _____ 145: _____

107: _____ 120: _____ 133: _____ 146: _____

108: _____ 121: _____ 134: _____ 147: _____

109: _____ 122: _____ 135: _____ 148: _____

110: _____ 123: _____ 136: _____ 149: _____

111: _____ 124: _____ 137: _____ 150: _____

112: _____ 125: _____ 138: _____ 151: _____

113: _____ 126: _____ 139: _____ 152: _____

Module Type, Serial Number & Details	Module Type, Serial Number & Details	Module Type, Serial Number & Details	Module Type, Serial Number & Details
--------------------------------------	--------------------------------------	--------------------------------------	--------------------------------------

153: _____ 166: _____ 179: _____ 192: _____

154: _____ 167: _____ 180: _____ 193: _____

155: _____ 168: _____ 181: _____ 194: _____

156: _____ 169: _____ 182: _____ 195: _____

157: _____ 170: _____ 183: _____ 196: _____

158: _____ 171: _____ 184: _____ 197: _____

159: _____ 172: _____ 185: _____ 198: _____

160: _____ 173: _____ 186: _____ 199: _____

161: _____ 174: _____ 187: _____ 200: _____

162: _____ 175: _____ 188: _____ 201: _____

163: _____ 176: _____ 189: _____ 202: _____

164: _____ 177: _____ 190: _____ 203: _____

165: _____ 178: _____ 191: _____ 204: _____

Module Type, Serial Number & Details	Module Type, Serial Number & Details	Module Type, Serial Number & Details	Module Type, Serial Number & Details
--------------------------------------	--------------------------------------	--------------------------------------	--------------------------------------

205: _____ 218: _____ 231: _____ 244: _____

206: _____ 219: _____ 232: _____ 245: _____

207: _____ 220: _____ 233: _____ 246: _____

208: _____ 221: _____ 234: _____ 247: _____

209: _____ 222: _____ 235: _____ 248: _____

210: _____ 223: _____ 236: _____ 249: _____

211: _____ 224: _____ 237: _____ 250: _____

212: _____ 225: _____ 238: _____ 251: _____

213: _____ 226: _____ 239: _____ 252: _____

214: _____ 227: _____ 240: _____ 253: _____

215: _____ 228: _____ 241: _____ 254: _____

216: _____ 229: _____ 242: _____

217: _____ 230: _____ 243: _____

Zone Programming



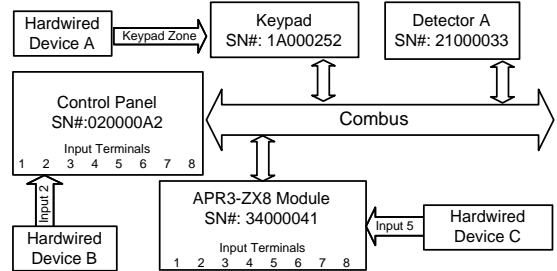
Section [0400] is accessible only when using EVO641 and EVO641R keypads. Without section [0400], you can only program the first 96 zones of the system using sections [0001] to [0096] for the zone's serial number and input, sections [0101] to [0196] for zone parameters, sections [0201] to [0296] for report codes and sections [0301] to [0396] for zone labels. In addition, with a EVO48 panel, you can only program the first 48 zones with or without section [0400].

Enter Section [0400], then enter the number of the zone you want to program



In any Zone Programming option, pressing [ACC] will save the data and go to the next zone on the same option screen. Pressing [TRBL] will save the data and go to the previous zone on the same option screen.

Enter the zone's 8-digit serial and 3-digit input number (The input number is not needed for module with only one input) Press [0] followed by [Enter] to clear a zone's serial number.



	Zone#	Section#	Serial#	Input#
Detector A:	1 =	[0001]	21000033	N/A
Hardwired Device A:	2 =	[0002]	1A000252	N/A
Hardwired Device B:	3 =	[0003]	020000A2	002
Hardwired Device C:	4 =	[0004]	34000041	005

Enter the zone's parameters (01) (*2*4***) default

Zone Definition	Partition	Zone Option
		1 2 3 4 5 6 7 8
0 - Disabled (default) 1 - Entry Delay 1 2 - Entry Delay 2 3 - Follow 4 - Instant 5 - 24Hr Buzzer 6 - 24Hr Burglary 7 - 24Hr Hold-up 8 - 24Hr Gas 9 - 24Hr Heat A - 24Hr Water B - 24Hr Freeze C - Delayed 24Hr Fire D - Standard 24Hr Fire E - Stay Delay 1 F - Stay Delay 2	1 - Assigned to Partition 1 (default) 2 - Assigned to Partition 2 3 - Assigned to Partition 3 4 - Assigned to Partition 4 5 - Assigned to Partition 5 6 - Assigned to Partition 6 7 - Assigned to Partition 7 8 - Assigned to Partition 8	[1] Auto Zone Shutdown Enabled [2] Bypass Enabled (default on) [3] Stay Zone [4] Force Zone (default on) [5] [6] <u>Zone Alarm Type</u> off off Steady Alarm on on Pulsed Alarm on off Silent Alarm on on Report Only [7] Intellizone [8] Delay before Transmission

Enter the zone's report codes (00) (00) (00) (00) default

Alarm Report Code	Alarm Restore Report Code	Tamper Report Code	Tamper Restore Report Code
__ / __	__ / __	__ / __	__ / __
Ademco slow, Silent Knight fast, SESCOA, Ademco express or Pager formats: Key-in desired 2-digit hex values from 00 to FF.			
Ademco format:			
Use section [4032] to program a set of default Ademco report codes from the <i>Automatic Report Code Programming</i> on page 50. Then to program the remaining report codes or to change some of the defaults, enter the individual sections and key-in the desired 2-digit hex value found in the <i>Contact ID Report Code List</i> on page 53.			
SIA format:			
Use section [4032] to program a set of SIA report codes from the <i>Automatic Report Code Programming</i> on page 50. Codes that have not been set to default can be set to default manually by entering FF in the appropriate section. To disable the reporting of an event, enter 00 in the appropriate section			

Enter the zone's label

Press [ENTER] to save and go to the next zone

Pressing [CLEAR] twice will exit the zone programming menus. Press [ENTER] before pressing clear to save your modifications.

Zone Information

Zone Programming

Zone	Description	Module	8-digit Serial Number	Input#	Define	Assign	Zone Options
1			/ / / / / / / /	/ / /	—	—	1 2 3 4 5 6 7 8
2			/ / / / / / / /	/ / /	—	—	1 2 3 4 5 6 7 8
3			/ / / / / / / /	/ / /	—	—	1 2 3 4 5 6 7 8
4			/ / / / / / / /	/ / /	—	—	1 2 3 4 5 6 7 8
5			/ / / / / / / /	/ / /	—	—	1 2 3 4 5 6 7 8
6			/ / / / / / / /	/ / /	—	—	1 2 3 4 5 6 7 8
7			/ / / / / / / /	/ / /	—	—	1 2 3 4 5 6 7 8
8			/ / / / / / / /	/ / /	—	—	1 2 3 4 5 6 7 8
9			/ / / / / / / /	/ / /	—	—	1 2 3 4 5 6 7 8
10			/ / / / / / / /	/ / /	—	—	1 2 3 4 5 6 7 8
11			/ / / / / / / /	/ / /	—	—	1 2 3 4 5 6 7 8
12			/ / / / / / / /	/ / /	—	—	1 2 3 4 5 6 7 8
13			/ / / / / / / /	/ / /	—	—	1 2 3 4 5 6 7 8
14			/ / / / / / / /	/ / /	—	—	1 2 3 4 5 6 7 8
15			/ / / / / / / /	/ / /	—	—	1 2 3 4 5 6 7 8
16			/ / / / / / / /	/ / /	—	—	1 2 3 4 5 6 7 8
17			/ / / / / / / /	/ / /	—	—	1 2 3 4 5 6 7 8
18			/ / / / / / / /	/ / /	—	—	1 2 3 4 5 6 7 8
19			/ / / / / / / /	/ / /	—	—	1 2 3 4 5 6 7 8
20			/ / / / / / / /	/ / /	—	—	1 2 3 4 5 6 7 8
21			/ / / / / / / /	/ / /	—	—	1 2 3 4 5 6 7 8
22			/ / / / / / / /	/ / /	—	—	1 2 3 4 5 6 7 8
23			/ / / / / / / /	/ / /	—	—	1 2 3 4 5 6 7 8
24			/ / / / / / / /	/ / /	—	—	1 2 3 4 5 6 7 8
25			/ / / / / / / /	/ / /	—	—	1 2 3 4 5 6 7 8
26			/ / / / / / / /	/ / /	—	—	1 2 3 4 5 6 7 8
27			/ / / / / / / /	/ / /	—	—	1 2 3 4 5 6 7 8
28			/ / / / / / / /	/ / /	—	—	1 2 3 4 5 6 7 8
29			/ / / / / / / /	/ / /	—	—	1 2 3 4 5 6 7 8
30			/ / / / / / / /	/ / /	—	—	1 2 3 4 5 6 7 8
31			/ / / / / / / /	/ / /	—	—	1 2 3 4 5 6 7 8
32			/ / / / / / / /	/ / /	—	—	1 2 3 4 5 6 7 8
33			/ / / / / / / /	/ / /	—	—	1 2 3 4 5 6 7 8
34			/ / / / / / / /	/ / /	—	—	1 2 3 4 5 6 7 8
35			/ / / / / / / /	/ / /	—	—	1 2 3 4 5 6 7 8
36			/ / / / / / / /	/ / /	—	—	1 2 3 4 5 6 7 8
37			/ / / / / / / /	/ / /	—	—	1 2 3 4 5 6 7 8

Zone	Description	Module	8-digit Serial Number	Input#	Define	Assign	Zone Options
38			/ / / / / / / /	/ / /	—	—	1 2 3 4 5 6 7 8
39			/ / / / / / / /	/ / /	—	—	1 2 3 4 5 6 7 8
40			/ / / / / / / /	/ / /	—	—	1 2 3 4 5 6 7 8
41			/ / / / / / / /	/ / /	—	—	1 2 3 4 5 6 7 8
42			/ / / / / / / /	/ / /	—	—	1 2 3 4 5 6 7 8
43			/ / / / / / / /	/ / /	—	—	1 2 3 4 5 6 7 8
44			/ / / / / / / /	/ / /	—	—	1 2 3 4 5 6 7 8
45			/ / / / / / / /	/ / /	—	—	1 2 3 4 5 6 7 8
46			/ / / / / / / /	/ / /	—	—	1 2 3 4 5 6 7 8
47			/ / / / / / / /	/ / /	—	—	1 2 3 4 5 6 7 8
48			/ / / / / / / /	/ / /	—	—	1 2 3 4 5 6 7 8
49			/ / / / / / / /	/ / /	—	—	1 2 3 4 5 6 7 8
50			/ / / / / / / /	/ / /	—	—	1 2 3 4 5 6 7 8
51			/ / / / / / / /	/ / /	—	—	1 2 3 4 5 6 7 8
52			/ / / / / / / /	/ / /	—	—	1 2 3 4 5 6 7 8
53			/ / / / / / / /	/ / /	—	—	1 2 3 4 5 6 7 8
54			/ / / / / / / /	/ / /	—	—	1 2 3 4 5 6 7 8
55			/ / / / / / / /	/ / /	—	—	1 2 3 4 5 6 7 8
56			/ / / / / / / /	/ / /	—	—	1 2 3 4 5 6 7 8
57			/ / / / / / / /	/ / /	—	—	1 2 3 4 5 6 7 8
58			/ / / / / / / /	/ / /	—	—	1 2 3 4 5 6 7 8
59			/ / / / / / / /	/ / /	—	—	1 2 3 4 5 6 7 8
60			/ / / / / / / /	/ / /	—	—	1 2 3 4 5 6 7 8
61			/ / / / / / / /	/ / /	—	—	1 2 3 4 5 6 7 8
62			/ / / / / / / /	/ / /	—	—	1 2 3 4 5 6 7 8
63			/ / / / / / / /	/ / /	—	—	1 2 3 4 5 6 7 8
64			/ / / / / / / /	/ / /	—	—	1 2 3 4 5 6 7 8
65			/ / / / / / / /	/ / /	—	—	1 2 3 4 5 6 7 8
66			/ / / / / / / /	/ / /	—	—	1 2 3 4 5 6 7 8
67			/ / / / / / / /	/ / /	—	—	1 2 3 4 5 6 7 8
68			/ / / / / / / /	/ / /	—	—	1 2 3 4 5 6 7 8
69			/ / / / / / / /	/ / /	—	—	1 2 3 4 5 6 7 8
70			/ / / / / / / /	/ / /	—	—	1 2 3 4 5 6 7 8
71			/ / / / / / / /	/ / /	—	—	1 2 3 4 5 6 7 8
72			/ / / / / / / /	/ / /	—	—	1 2 3 4 5 6 7 8
73			/ / / / / / / /	/ / /	—	—	1 2 3 4 5 6 7 8
74			/ / / / / / / /	/ / /	—	—	1 2 3 4 5 6 7 8
75			/ / / / / / / /	/ / /	—	—	1 2 3 4 5 6 7 8
76			/ / / / / / / /	/ / /	—	—	1 2 3 4 5 6 7 8
77			/ / / / / / / /	/ / /	—	—	1 2 3 4 5 6 7 8
78			/ / / / / / / /	/ / /	—	—	1 2 3 4 5 6 7 8

Zone	Description	Module	8-digit Serial Number	Input#	Define	Assign	Zone Options
79			/ / / / / / / /	/ / /	—	—	1 2 3 4 5 6 7 8
80			/ / / / / / / /	/ / /	—	—	1 2 3 4 5 6 7 8
81			/ / / / / / / /	/ / /	—	—	1 2 3 4 5 6 7 8
82			/ / / / / / / /	/ / /	—	—	1 2 3 4 5 6 7 8
83			/ / / / / / / /	/ / /	—	—	1 2 3 4 5 6 7 8
84			/ / / / / / / /	/ / /	—	—	1 2 3 4 5 6 7 8
85			/ / / / / / / /	/ / /	—	—	1 2 3 4 5 6 7 8
86			/ / / / / / / /	/ / /	—	—	1 2 3 4 5 6 7 8
87			/ / / / / / / /	/ / /	—	—	1 2 3 4 5 6 7 8
88			/ / / / / / / /	/ / /	—	—	1 2 3 4 5 6 7 8
89			/ / / / / / / /	/ / /	—	—	1 2 3 4 5 6 7 8
90			/ / / / / / / /	/ / /	—	—	1 2 3 4 5 6 7 8
91			/ / / / / / / /	/ / /	—	—	1 2 3 4 5 6 7 8
92			/ / / / / / / /	/ / /	—	—	1 2 3 4 5 6 7 8
93			/ / / / / / / /	/ / /	—	—	1 2 3 4 5 6 7 8
94			/ / / / / / / /	/ / /	—	—	1 2 3 4 5 6 7 8
95			/ / / / / / / /	/ / /	—	—	1 2 3 4 5 6 7 8
96			/ / / / / / / /	/ / /	—	—	1 2 3 4 5 6 7 8
97			/ / / / / / / /	/ / /	—	—	1 2 3 4 5 6 7 8
98			/ / / / / / / /	/ / /	—	—	1 2 3 4 5 6 7 8
99			/ / / / / / / /	/ / /	—	—	1 2 3 4 5 6 7 8
100			/ / / / / / / /	/ / /	—	—	1 2 3 4 5 6 7 8
101			/ / / / / / / /	/ / /	—	—	1 2 3 4 5 6 7 8
102			/ / / / / / / /	/ / /	—	—	1 2 3 4 5 6 7 8
103			/ / / / / / / /	/ / /	—	—	1 2 3 4 5 6 7 8
104			/ / / / / / / /	/ / /	—	—	1 2 3 4 5 6 7 8
105			/ / / / / / / /	/ / /	—	—	1 2 3 4 5 6 7 8
106			/ / / / / / / /	/ / /	—	—	1 2 3 4 5 6 7 8
107			/ / / / / / / /	/ / /	—	—	1 2 3 4 5 6 7 8
108			/ / / / / / / /	/ / /	—	—	1 2 3 4 5 6 7 8
109			/ / / / / / / /	/ / /	—	—	1 2 3 4 5 6 7 8
110			/ / / / / / / /	/ / /	—	—	1 2 3 4 5 6 7 8
111			/ / / / / / / /	/ / /	—	—	1 2 3 4 5 6 7 8
112			/ / / / / / / /	/ / /	—	—	1 2 3 4 5 6 7 8
113			/ / / / / / / /	/ / /	—	—	1 2 3 4 5 6 7 8
114			/ / / / / / / /	/ / /	—	—	1 2 3 4 5 6 7 8
115			/ / / / / / / /	/ / /	—	—	1 2 3 4 5 6 7 8
116			/ / / / / / / /	/ / /	—	—	1 2 3 4 5 6 7 8
117			/ / / / / / / /	/ / /	—	—	1 2 3 4 5 6 7 8
118			/ / / / / / / /	/ / /	—	—	1 2 3 4 5 6 7 8
119			/ / / / / / / /	/ / /	—	—	1 2 3 4 5 6 7 8

Zone	Description	Module	8-digit Serial Number	Input#	Define	Assign	Zone Options
120			/ / / / / / / /	/ /	—	—	1 2 3 4 5 6 7 8
121			/ / / / / / / /	/ /	—	—	1 2 3 4 5 6 7 8
122			/ / / / / / / /	/ /	—	—	1 2 3 4 5 6 7 8
123			/ / / / / / / /	/ /	—	—	1 2 3 4 5 6 7 8
124			/ / / / / / / /	/ /	—	—	1 2 3 4 5 6 7 8
125			/ / / / / / / /	/ /	—	—	1 2 3 4 5 6 7 8
126			/ / / / / / / /	/ /	—	—	1 2 3 4 5 6 7 8
127			/ / / / / / / /	/ /	—	—	1 2 3 4 5 6 7 8
128			/ / / / / / / /	/ /	—	—	1 2 3 4 5 6 7 8
129			/ / / / / / / /	/ /	—	—	1 2 3 4 5 6 7 8
130			/ / / / / / / /	/ /	—	—	1 2 3 4 5 6 7 8
131			/ / / / / / / /	/ /	—	—	1 2 3 4 5 6 7 8
132			/ / / / / / / /	/ /	—	—	1 2 3 4 5 6 7 8
133			/ / / / / / / /	/ /	—	—	1 2 3 4 5 6 7 8
134			/ / / / / / / /	/ /	—	—	1 2 3 4 5 6 7 8
135			/ / / / / / / /	/ /	—	—	1 2 3 4 5 6 7 8
136			/ / / / / / / /	/ /	—	—	1 2 3 4 5 6 7 8
137			/ / / / / / / /	/ /	—	—	1 2 3 4 5 6 7 8
138			/ / / / / / / /	/ /	—	—	1 2 3 4 5 6 7 8
139			/ / / / / / / /	/ /	—	—	1 2 3 4 5 6 7 8
140			/ / / / / / / /	/ /	—	—	1 2 3 4 5 6 7 8
141			/ / / / / / / /	/ /	—	—	1 2 3 4 5 6 7 8
142			/ / / / / / / /	/ /	—	—	1 2 3 4 5 6 7 8
143			/ / / / / / / /	/ /	—	—	1 2 3 4 5 6 7 8
144			/ / / / / / / /	/ /	—	—	1 2 3 4 5 6 7 8
145			/ / / / / / / /	/ /	—	—	1 2 3 4 5 6 7 8
146			/ / / / / / / /	/ /	—	—	1 2 3 4 5 6 7 8
147			/ / / / / / / /	/ /	—	—	1 2 3 4 5 6 7 8
148			/ / / / / / / /	/ /	—	—	1 2 3 4 5 6 7 8
149			/ / / / / / / /	/ /	—	—	1 2 3 4 5 6 7 8
150			/ / / / / / / /	/ /	—	—	1 2 3 4 5 6 7 8
151			/ / / / / / / /	/ /	—	—	1 2 3 4 5 6 7 8
152			/ / / / / / / /	/ /	—	—	1 2 3 4 5 6 7 8
153			/ / / / / / / /	/ /	—	—	1 2 3 4 5 6 7 8
154			/ / / / / / / /	/ /	—	—	1 2 3 4 5 6 7 8
155			/ / / / / / / /	/ /	—	—	1 2 3 4 5 6 7 8
156			/ / / / / / / /	/ /	—	—	1 2 3 4 5 6 7 8
157			/ / / / / / / /	/ /	—	—	1 2 3 4 5 6 7 8
158			/ / / / / / / /	/ /	—	—	1 2 3 4 5 6 7 8
159			/ / / / / / / /	/ /	—	—	1 2 3 4 5 6 7 8
160			/ / / / / / / /	/ /	—	—	1 2 3 4 5 6 7 8

Zone	Description	Module	8-digit Serial Number	Input#	Define	Assign	Zone Options
161			/ / / / / / / /	/ / /	—	—	1 2 3 4 5 6 7 8
162			/ / / / / / / /	/ / /	—	—	1 2 3 4 5 6 7 8
163			/ / / / / / / /	/ / /	—	—	1 2 3 4 5 6 7 8
164			/ / / / / / / /	/ / /	—	—	1 2 3 4 5 6 7 8
165			/ / / / / / / /	/ / /	—	—	1 2 3 4 5 6 7 8
166			/ / / / / / / /	/ / /	—	—	1 2 3 4 5 6 7 8
167			/ / / / / / / /	/ / /	—	—	1 2 3 4 5 6 7 8
168			/ / / / / / / /	/ / /	—	—	1 2 3 4 5 6 7 8
169			/ / / / / / / /	/ / /	—	—	1 2 3 4 5 6 7 8
170			/ / / / / / / /	/ / /	—	—	1 2 3 4 5 6 7 8
171			/ / / / / / / /	/ / /	—	—	1 2 3 4 5 6 7 8
172			/ / / / / / / /	/ / /	—	—	1 2 3 4 5 6 7 8
173			/ / / / / / / /	/ / /	—	—	1 2 3 4 5 6 7 8
174			/ / / / / / / /	/ / /	—	—	1 2 3 4 5 6 7 8
175			/ / / / / / / /	/ / /	—	—	1 2 3 4 5 6 7 8
176			/ / / / / / / /	/ / /	—	—	1 2 3 4 5 6 7 8
177			/ / / / / / / /	/ / /	—	—	1 2 3 4 5 6 7 8
178			/ / / / / / / /	/ / /	—	—	1 2 3 4 5 6 7 8
179			/ / / / / / / /	/ / /	—	—	1 2 3 4 5 6 7 8
180			/ / / / / / / /	/ / /	—	—	1 2 3 4 5 6 7 8
181			/ / / / / / / /	/ / /	—	—	1 2 3 4 5 6 7 8
182			/ / / / / / / /	/ / /	—	—	1 2 3 4 5 6 7 8
183			/ / / / / / / /	/ / /	—	—	1 2 3 4 5 6 7 8
184			/ / / / / / / /	/ / /	—	—	1 2 3 4 5 6 7 8
185			/ / / / / / / /	/ / /	—	—	1 2 3 4 5 6 7 8
186			/ / / / / / / /	/ / /	—	—	1 2 3 4 5 6 7 8
187			/ / / / / / / /	/ / /	—	—	1 2 3 4 5 6 7 8
188			/ / / / / / / /	/ / /	—	—	1 2 3 4 5 6 7 8
189			/ / / / / / / /	/ / /	—	—	1 2 3 4 5 6 7 8
190			/ / / / / / / /	/ / /	—	—	1 2 3 4 5 6 7 8
191			/ / / / / / / /	/ / /	—	—	1 2 3 4 5 6 7 8
192			/ / / / / / / /	/ / /	—	—	1 2 3 4 5 6 7 8

Zone report codes

Zone #	Alarm Report Codes	Alarm Restore Report Codes	Tamper Report Codes	Tamper Restore Report Codes	Zone #	Alarm Report Codes	Alarm Restore Report Codes	Tamper Report Codes	Tamper Restore Report Codes
1	/	/	/	/	43	/	/	/	/
2	/	/	/	/	44	/	/	/	/
3	/	/	/	/	45	/	/	/	/
4	/	/	/	/	46	/	/	/	/
5	/	/	/	/	47	/	/	/	/
6	/	/	/	/	48	/	/	/	/
7	/	/	/	/	49	/	/	/	/
8	/	/	/	/	50	/	/	/	/
9	/	/	/	/	51	/	/	/	/
10	/	/	/	/	52	/	/	/	/
11	/	/	/	/	53	/	/	/	/
12	/	/	/	/	54	/	/	/	/
13	/	/	/	/	55	/	/	/	/
14	/	/	/	/	56	/	/	/	/
15	/	/	/	/	57	/	/	/	/
16	/	/	/	/	58	/	/	/	/
17	/	/	/	/	59	/	/	/	/
18	/	/	/	/	60	/	/	/	/
19	/	/	/	/	61	/	/	/	/
20	/	/	/	/	62	/	/	/	/
21	/	/	/	/	63	/	/	/	/
22	/	/	/	/	64	/	/	/	/
23	/	/	/	/	65	/	/	/	/
24	/	/	/	/	66	/	/	/	/
25	/	/	/	/	67	/	/	/	/
26	/	/	/	/	68	/	/	/	/
27	/	/	/	/	69	/	/	/	/
28	/	/	/	/	70	/	/	/	/
29	/	/	/	/	71	/	/	/	/
30	/	/	/	/	72	/	/	/	/
31	/	/	/	/	73	/	/	/	/
32	/	/	/	/	74	/	/	/	/
33	/	/	/	/	75	/	/	/	/
34	/	/	/	/	76	/	/	/	/
35	/	/	/	/	77	/	/	/	/
36	/	/	/	/	78	/	/	/	/
37	/	/	/	/	79	/	/	/	/
38	/	/	/	/	80	/	/	/	/
39	/	/	/	/	81	/	/	/	/
40	/	/	/	/	82	/	/	/	/
41	/	/	/	/	83	/	/	/	/
42	/	/	/	/	84	/	/	/	/

85	/	/	/	/
86	/	/	/	/
87	/	/	/	/
88	/	/	/	/
89	/	/	/	/
90	/	/	/	/
91	/	/	/	/
92	/	/	/	/
93	/	/	/	/
94	/	/	/	/
95	/	/	/	/
96	/	/	/	/
97	/	/	/	/
98	/	/	/	/
99	/	/	/	/
100	/	/	/	/
101	/	/	/	/
102	/	/	/	/
103	/	/	/	/
104	/	/	/	/
105	/	/	/	/
106	/	/	/	/
107	/	/	/	/
108	/	/	/	/
109	/	/	/	/
110	/	/	/	/
111	/	/	/	/
112	/	/	/	/
113	/	/	/	/
114	/	/	/	/
115	/	/	/	/
116	/	/	/	/
117	/	/	/	/
118	/	/	/	/
119	/	/	/	/
120	/	/	/	/
121	/	/	/	/
122	/	/	/	/
123	/	/	/	/
124	/	/	/	/
125	/	/	/	/
126	/	/	/	/
127	/	/	/	/
128	/	/	/	/
129	/	/	/	/

130	/	/	/	/
131	/	/	/	/
132	/	/	/	/
133	/	/	/	/
134	/	/	/	/
135	/	/	/	/
136	/	/	/	/
137	/	/	/	/
138	/	/	/	/
139	/	/	/	/
140	/	/	/	/
141	/	/	/	/
142	/	/	/	/
143	/	/	/	/
144	/	/	/	/
145	/	/	/	/
146	/	/	/	/
147	/	/	/	/
148	/	/	/	/
149	/	/	/	/
150	/	/	/	/
151	/	/	/	/
152	/	/	/	/
153	/	/	/	/
154	/	/	/	/
155	/	/	/	/
156	/	/	/	/
157	/	/	/	/
158	/	/	/	/
159	/	/	/	/
160	/	/	/	/
161	/	/	/	/
162	/	/	/	/
163	/	/	/	/
164	/	/	/	/
165	/	/	/	/
166	/	/	/	/
167	/	/	/	/
168	/	/	/	/
169	/	/	/	/
170	/	/	/	/
171	/	/	/	/
172	/	/	/	/
173	/	/	/	/
174	/	/	/	/

175	/	/	/	/	184	/	/	/	/
176	/	/	/	/	185	/	/	/	/
177	/	/	/	/	186	/	/	/	/
178	/	/	/	/	187	/	/	/	/
179	/	/	/	/	188	/	/	/	/
180	/	/	/	/	189	/	/	/	/
181	/	/	/	/	190	/	/	/	/
182	/	/	/	/	191	/	/	/	/
183	/	/	/	/	192	/	/	/	/

Zone Labels

Zone #	Zone Label	Zone #	Zone Label	Zone #	Zone Label
1	/	31	/	61	/
2	/	32	/	62	/
3	/	33	/	63	/
4	/	34	/	64	/
5	/	35	/	65	/
6	/	36	/	66	/
7	/	37	/	67	/
8	/	38	/	68	/
9	/	39	/	69	/
10	/	40	/	70	/
11	/	41	/	71	/
12	/	42	/	72	/
13	/	43	/	73	/
14	/	44	/	74	/
15	/	45	/	75	/
16	/	46	/	76	/
17	/	47	/	77	/
18	/	48	/	78	/
19	/	49	/	79	/
20	/	50	/	80	/
21	/	51	/	81	/
22	/	52	/	82	/
23	/	53	/	83	/
24	/	54	/	84	/
25	/	55	/	85	/
26	/	56	/	86	/
27	/	57	/	87	/
28	/	58	/	88	/
29	/	59	/	89	/
30	/	60	/	90	/

91	_____
92	_____
93	_____
94	_____
95	_____
96	_____
97	_____
98	_____
99	_____
100	_____
101	_____
102	_____
103	_____
104	_____
105	_____
106	_____
107	_____
108	_____
109	_____
110	_____
111	_____
112	_____
113	_____
114	_____
115	_____
116	_____
117	_____
118	_____
119	_____
120	_____
121	_____
122	_____
123	_____
124	_____
125	_____

126	_____
127	_____
128	_____
129	_____
130	_____
131	_____
132	_____
133	_____
134	_____
135	_____
136	_____
137	_____
138	_____
139	_____
140	_____
141	_____
142	_____
143	_____
144	_____
145	_____
146	_____
147	_____
148	_____
149	_____
150	_____
151	_____
152	_____
153	_____
154	_____
155	_____
156	_____
157	_____
158	_____
159	_____
160	_____

161	_____
162	_____
163	_____
164	_____
165	_____
166	_____
167	_____
168	_____
169	_____
170	_____
171	_____
172	_____
173	_____
174	_____
175	_____
176	_____
177	_____
178	_____
179	_____
180	_____
181	_____
182	_____
183	_____
184	_____
185	_____
186	_____
187	_____
188	_____
189	_____
190	_____
191	_____
192	_____

Keyswitch Programming

KEYSWITCH NUMBERING

Sections [0501] to [0532] represent keyswitches 1 to 32 respectively. This feature allows you to assign a keyswitch to an addressable or hardwired detection device.

KEYSWITCH PARAMETERS

Sections [0601] to [0632] represent keyswitches 1 to 32 respectively. This feature defines the keyswitch's partition assignment and arming method.

Enter 3-digit [INPUT NUMBER] of Module to which keyswitch is connected.

Enter 8-digit [SERIAL NUMBER] of Module to which keyswitch is connected.

Keyswitch Partition Assignment

- 0- Not assigned to a partition (default)
- 1- Keyswitch Assigned to Partition 1
- 2- Keyswitch Assigned to Partition 2
- 3- Keyswitch Assigned to Partition 3
- 4- Keyswitch Assigned to Partition 4
- 5- Keyswitch Assigned to Partition 5
- 6- Keyswitch Assigned to Partition 6
- 7- Keyswitch Assigned to Partition 7
- 8- Keyswitch Assigned to Partition 8

Keyswitch Definitions

- 0- Disabled (default)
- 1- Momentary Keyswitch
- 2- Maintained Keyswitch
- 3- Generates a Utility Key Event on Open**
- 4- Generates a Utility Key Event on Open and Close**

Keyswitch Options
(default: all Off)

- [3] Disarm Only
- [4] Off = Disarm
On = Disarm only if Stay/Instant armed
- [5] Arm Only
- [6] *Stay Arming
- [7] *Force Arming
- [8] *Instant Arming

* Select only one. If all are off, keyswitch will regular arm.

Keyswitch	Description	Module	Section	8-digit Serial Number	Input#	Section	Define	Assign	Keyswitch Options
1			[0501]	_/_/_/_/_/_/_/_/	_/_/	[0601]	___	___	3 4 5 6 7 8
2			[0502]	_/_/_/_/_/_/_/_/	_/_/	[0602]	___	___	3 4 5 6 7 8
3			[0503]	_/_/_/_/_/_/_/_/	_/_/	[0603]	___	___	3 4 5 6 7 8
4			[0504]	_/_/_/_/_/_/_/_/	_/_/	[0604]	___	___	3 4 5 6 7 8
5			[0505]	_/_/_/_/_/_/_/_/	_/_/	[0605]	___	___	3 4 5 6 7 8
6			[0506]	_/_/_/_/_/_/_/_/	_/_/	[0606]	___	___	3 4 5 6 7 8
7			[0507]	_/_/_/_/_/_/_/_/	_/_/	[0607]	___	___	3 4 5 6 7 8
8			[0508]	_/_/_/_/_/_/_/_/	_/_/	[0608]	___	___	3 4 5 6 7 8
9			[0509]	_/_/_/_/_/_/_/_/	_/_/	[0609]	___	___	3 4 5 6 7 8
10			[0510]	_/_/_/_/_/_/_/_/	_/_/	[0610]	___	___	3 4 5 6 7 8
11			[0511]	_/_/_/_/_/_/_/_/	_/_/	[0611]	___	___	3 4 5 6 7 8
12			[0512]	_/_/_/_/_/_/_/_/	_/_/	[0612]	___	___	3 4 5 6 7 8
13			[0513]	_/_/_/_/_/_/_/_/	_/_/	[0613]	___	___	3 4 5 6 7 8
14			[0514]	_/_/_/_/_/_/_/_/	_/_/	[0614]	___	___	3 4 5 6 7 8
15			[0515]	_/_/_/_/_/_/_/_/	_/_/	[0615]	___	___	3 4 5 6 7 8
16			[0516]	_/_/_/_/_/_/_/_/	_/_/	[0616]	___	___	3 4 5 6 7 8
17			[0517]	_/_/_/_/_/_/_/_/	_/_/	[0617]	___	___	3 4 5 6 7 8
18			[0518]	_/_/_/_/_/_/_/_/	_/_/	[0618]	___	___	3 4 5 6 7 8
19			[0519]	_/_/_/_/_/_/_/_/	_/_/	[0619]	___	___	3 4 5 6 7 8
20			[0520]	_/_/_/_/_/_/_/_/	_/_/	[0620]	___	___	3 4 5 6 7 8
21			[0521]	_/_/_/_/_/_/_/_/	_/_/	[0621]	___	___	3 4 5 6 7 8

**If you wish to use this keyswitch definition, one or more PGMs must be programmed with the Utility Key event (Event Group #048; see page 25).

Keyswitch	Description	Module	Section	8-digit Serial Number	Input#	Section	Define	Assign	Keyswitch Options
22			[0522]	___/___/___/___/___/___/___/___	___/___/___	[0622]	___	___	3 4 5 6 7 8
23			[0523]	___/___/___/___/___/___/___/___	___/___/___	[0623]	___	___	3 4 5 6 7 8
24			[0524]	___/___/___/___/___/___/___/___	___/___/___	[0624]	___	___	3 4 5 6 7 8
25			[0525]	___/___/___/___/___/___/___/___	___/___/___	[0625]	___	___	3 4 5 6 7 8
26			[0526]	___/___/___/___/___/___/___/___	___/___/___	[0626]	___	___	3 4 5 6 7 8
27			[0527]	___/___/___/___/___/___/___/___	___/___/___	[0627]	___	___	3 4 5 6 7 8
28			[0528]	___/___/___/___/___/___/___/___	___/___/___	[0628]	___	___	3 4 5 6 7 8
29			[0529]	___/___/___/___/___/___/___/___	___/___/___	[0629]	___	___	3 4 5 6 7 8
30			[0530]	___/___/___/___/___/___/___/___	___/___/___	[0630]	___	___	3 4 5 6 7 8
31			[0531]	___/___/___/___/___/___/___/___	___/___/___	[0631]	___	___	3 4 5 6 7 8
32			[0532]	___/___/___/___/___/___/___/___	___/___/___	[0632]	___	___	3 4 5 6 7 8

Keyswitch Arming/Disarming Report Codes

Ademco slow, Silent Knight fast, SESCOA, Ademco express or Pager formats: Key-in desired 2-digit hex values from 00 to FF.

Ademco Contact ID:

Use section [4033] to program a set of default Ademco report codes from the *Automatic Report Code Programming* on page 50. Then to program the remaining report codes or to change some of the defaults, enter the individual sections and key-in the desired 2-digit hex value found in the *Contact ID Report Code List* on page 53.

SIA format:

Use section [4033] to program a set of SIA report codes from the *Automatic Report Code Programming* on page 50. Codes that have not been set to default can be set to default manually by entering FF in the appropriate section. To disable the reporting of an event, enter 00 in the appropriate section.

Arming With Keyswitch Report Codes

Section	Section	Section	Section	Section	Section	Section
[0701] ___/___ Keyswitch 01	[0707] ___/___ Keyswitch 07	[0713] ___/___ Keyswitch 13	[0719] ___/___ Keyswitch 19	[0725] ___/___ Keyswitch 25	[0731] ___/___ Keyswitch 31	
[0702] ___/___ Keyswitch 02	[0708] ___/___ Keyswitch 08	[0714] ___/___ Keyswitch 14	[0720] ___/___ Keyswitch 20	[0726] ___/___ Keyswitch 26	[0732] ___/___ Keyswitch 32	
[0703] ___/___ Keyswitch 03	[0709] ___/___ Keyswitch 09	[0715] ___/___ Keyswitch 15	[0721] ___/___ Keyswitch 21	[0727] ___/___ Keyswitch 27		
[0704] ___/___ Keyswitch 04	[0710] ___/___ Keyswitch 10	[0716] ___/___ Keyswitch 16	[0722] ___/___ Keyswitch 22	[0728] ___/___ Keyswitch 28		
[0705] ___/___ Keyswitch 05	[0711] ___/___ Keyswitch 11	[0717] ___/___ Keyswitch 17	[0723] ___/___ Keyswitch 23	[0729] ___/___ Keyswitch 29		
[0706] ___/___ Keyswitch 06	[0712] ___/___ Keyswitch 12	[0718] ___/___ Keyswitch 18	[0724] ___/___ Keyswitch 24	[0730] ___/___ Keyswitch 30		

Disarming With Keyswitch Report Codes

Section	Section	Section	Section	Section	Section
[0801] ___/___ Keyswitch 01	[0807] ___/___ Keyswitch 07	[0813] ___/___ Keyswitch 13	[0819] ___/___ Keyswitch 19	[0825] ___/___ Keyswitch 25	[0831] ___/___ Keyswitch 31
[0802] ___/___ Keyswitch 02	[0808] ___/___ Keyswitch 08	[0814] ___/___ Keyswitch 14	[0820] ___/___ Keyswitch 20	[0826] ___/___ Keyswitch 26	[0832] ___/___ Keyswitch 32
[0803] ___/___ Keyswitch 03	[0809] ___/___ Keyswitch 09	[0815] ___/___ Keyswitch 15	[0821] ___/___ Keyswitch 21	[0827] ___/___ Keyswitch 27	
[0804] ___/___ Keyswitch 04	[0810] ___/___ Keyswitch 10	[0816] ___/___ Keyswitch 16	[0822] ___/___ Keyswitch 22	[0828] ___/___ Keyswitch 28	
[0805] ___/___ Keyswitch 05	[0811] ___/___ Keyswitch 11	[0817] ___/___ Keyswitch 17	[0823] ___/___ Keyswitch 23	[0829] ___/___ Keyswitch 29	
[0806] ___/___ Keyswitch 06	[0812] ___/___ Keyswitch 12	[0818] ___/___ Keyswitch 18	[0824] ___/___ Keyswitch 24	[0830] ___/___ Keyswitch 30	

Programmable Outputs

PGM Test Mode

Section	Description
[0901]	Test PGM1: Activates PGM1 for 8 seconds to verify if the PGM is functioning correctly.
[0902]	Test PGM2: Activates PGM2 for 8 seconds to verify if the PGM is functioning correctly.
[0903]	Test PGM3: Activates PGM3 for 8 seconds to verify if the PGM is functioning correctly.
[0904]	Test PGM4: Activates PGM4 for 8 seconds to verify if the PGM is functioning correctly.
[0905]	Test PGM5: Activates PGM5 for 8 seconds to verify if the PGM is functioning correctly.

PGM Delay

Section	Data	Description	Default
[0918]	__/_/__(001 to 255 x 1 sec./mins.)	PGM1 Delay (refer to section [0919] option [2] to see whether the delay is in seconds or minutes)	5 secs./mins.
[0928]	__/_/__(001 to 255 x 1 sec./mins.)	PGM2 Delay (refer to section [0929] option [2] to see whether the delay is in seconds or minutes)	5 secs./mins.
[0938]	__/_/__(001 to 255 x 1 sec./mins.)	PGM3 Delay (refer to section [0939] option [2] to see whether the delay is in seconds or minutes)	5 secs./mins.
[0948]	__/_/__(001 to 255 x 1 sec./mins.)	PGM4 Delay (refer to section [0949] option [2] to see whether the delay is in seconds or minutes)	5 secs./mins.
[0958]	__/_/__(001 to 255 x 1 sec./mins.)	PGM5 Delay (refer to section [0959] option [2] to see whether the delay is in seconds or minutes)	5 secs./mins.

PGM Options

Option	Description (Δ = Default Setting)	PGM1 [0919]		PGM2 [0929]		PGM3 [0939]		PGM4 [0949]		PGM5 [0959]	
		OFF Disabled	ON Enabled	OFF Disabled	ON Enabled	OFF Disabled	ON Enabled	OFF Disabled	ON Enabled	OFF Disabled	ON Enabled
[1]	PGM Deactivation After (OFF = Deactivation Event; ON = PGM Timer)	Δ	<input type="checkbox"/>	Δ	<input type="checkbox"/>	Δ	<input type="checkbox"/>	Δ	<input type="checkbox"/>	Δ	<input type="checkbox"/>
[2]	PGM Base Time (OFF = Seconds; ON = Minutes)	Δ	<input type="checkbox"/>	Δ	<input type="checkbox"/>	Δ	<input type="checkbox"/>	Δ	<input type="checkbox"/>	Δ	<input type="checkbox"/>
[3]	Flexible PGM Deactivation Option (OFF = PGM Timer Only; ON = PGM Timer and/or Deactivation Event)	Δ	<input type="checkbox"/>	Δ	<input type="checkbox"/>	Δ	<input type="checkbox"/>	Δ	<input type="checkbox"/>	Δ	<input type="checkbox"/>
[4]	PGM Initial State (OFF = Normally Open; ON = Normally Closed)	Δ	<input type="checkbox"/>	Δ	<input type="checkbox"/>	Δ	<input type="checkbox"/>	Δ	<input type="checkbox"/>	Δ	<input type="checkbox"/>
[5] to [8]	Future Use	N/A	N/A	N/A	N/A	N/A	N/A	N/A	N/A	N/A	N/A

 In order to use the Flexible PGM Deactivation Option (option [3]), the PGM Deactivation After Option (option [1]) must be ON.

PGM Programming

		Event Group	Feature Group	Start #	End #
		Section	Section	Section	Section
PGM Activation	PGM1	[0910] __/__/	[0911] __/__/	[0912] __/__/	[0913] __/__/
	PGM2	[0920] __/__/	[0921] __/__/	[0922] __/__/	[0923] __/__/
	PGM3	[0930] __/__/	[0931] __/__/	[0932] __/__/	[0933] __/__/
	PGM4	[0940] __/__/	[0941] __/__/	[0942] __/__/	[0943] __/__/
	PGM5	[0950] __/__/	[0951] __/__/	[0952] __/__/	[0953] __/__/
PGM Deactivation	PGM1	[0914] __/__/	[0915] __/__/	[0916] __/__/	[0917] __/__/
	PGM2	[0924] __/__/	[0925] __/__/	[0926] __/__/	[0927] __/__/
	PGM3	[0934] __/__/	[0935] __/__/	[0936] __/__/	[0937] __/__/
	PGM4	[0944] __/__/	[0945] __/__/	[0946] __/__/	[0947] __/__/
	PGM5	[0954] __/__/	[0955] __/__/	[0956] __/__/	[0957] __/__/

Event Group	Event	Feature Group	Feature	Start #	End #
000	Zone is OK	000 255 = any Zone #	Zone Numbers	001 to 192	001 to 192
001	Zone is Open			001 to 192	001 to 192
002	Zone is Tampered			001 to 192	001 to 192
003	Zone is in Fire Loop Trouble			001 to 192	001 to 192
004	Non-reportable Event			000	TLM Trouble

Event Group	Event	Feature Group	Feature	Start #	End #
004	Non-reportable Event	000	Smoke detector reset	001	001
			Arm with no entry delay	002	002
			Arm in Stay mode	003	003
			Arm in Away mode	004	004
			Full arm when in Stay mode	005	005
			Voice module access	006	006
			Remote control access	007	007
			PC Fail to communicate	008	008
			Midnight	009	009
			NEware User Login	010	010
			NEware User Logout	011	011
			User Initiated Callup	012	012
			Force Answer	013	013
			Force Hangup	014	014
			Future Use	015	015
			Auxiliary Output Manually Activated	016	016
			Auxiliary Output Manually Deactivated	017	017
			Voice Reporting Failed	018	018
			FTC Restore	019	019
			Software Access (VDMP3, IP100, NEware, WinLoad)	020	020
		255	Any Non-reportable Event	Not Used	Not Used
005	User Code entered on Keypad	000	User Codes 000 to 255	000 to 255	000 to 255
		001	User Codes 256 to 511	000 to 255	000 to 255
		002	User Codes 512 to 767	000 to 255	000 to 255
		003	User Codes 768 to 999	000 to 231	000 to 231
		255	Any User Code	Not Used	Not Used
006	User/Card Access on Door	000	Door Numbers	001 to 032	001 to 032
		255	Any door #	Not Used	Not Used
007	Bypass Programming Access	000	One-touch Bypass Programming	000	000
		000	User Codes 001 to 255	001 to 255	001 to 255
		001	User Codes 256 to 511	000 to 255	000 to 255
		002	User Codes 512 to 767	000 to 255	000 to 255
		003	User Codes 768 to 999	000 to 231	000 to 231
		255	Any User Code	Not Used	Not Used
008	TX Delay Zone Alarm	000	Zone Numbers	001 to 096	001 to 096
		255	Any zone #	Not Used	Not Used
009	Arming with Master	000	User Codes 001 to 255	001 to 255	001 to 255
		001	User Codes 256 to 511	000 to 255	000 to 255
		002	User Codes 512 to 767	000 to 255	000 to 255
		003	User Codes 768 to 999	000 to 231	000 to 231
		255	Any User Code	Not Used	Not Used
010	Arming with User Code	000	User Codes 001 to 255	001 to 255	001 to 255
		001	User Codes 256 to 511	000 to 255	000 to 255
		002	User Codes 512 to 767	000 to 255	000 to 255
		003	User Codes 768 to 999	000 to 231	000 to 231
		255	Any User Code	Not Used	Not Used
011	Arming with Keyswitch	000	Keyswitch numbers	001 to 032	001 to 032
		255	Any keyswitch	Not Used	Not Used
012	Special Arming	000	Auto Arming	000	000
			Arming with WinLoad	001	001
			Late to Close	002	002
			No Movement Arming	003	003
			Partial Arming	004	004
			One-touch Arming	005	005
			Future Use	006	006
			Future Use	007	007
			(InTouch) Voice Module Arming	008	008
			Delinquency Closing	009	009
		255	Any special arming event	Not Used	Not Used

Event Group	Event	Feature Group	Feature	Start #	End #
013	<i>Disarm with Master</i>	000	User Codes 001 to 255	001 to 255	001 to 255
		001	User Codes 256 to 511	000 to 255	000 to 255
		002	User Codes 512 to 767	000 to 255	000 to 255
		003	User Codes 768 to 999	000 to 231	000 to 231
		255	Any User Code	Not Used	Not Used
014	<i>Disarm with User Code</i>	000	User Codes 001 to 255	001 to 255	001 to 255
		001	User Codes 256 to 511	000 to 255	000 to 255
		002	User Codes 512 to 767	000 to 255	000 to 255
		003	User Codes 768 to 999	000 to 231	000 to 231
		255	Any User Code	Not Used	Not Used
015	<i>Disarm with Keypad</i>	000	Keypad numbers	001 to 032	001 to 032
		255	Any keypad	Not Used	Not Used
016	<i>Disarm after alarm with Master</i>	000	User Codes 001 to 255	001 to 255	001 to 255
		001	User Codes 256 to 511	000 to 255	000 to 255
		002	User Codes 512 to 767	000 to 255	000 to 255
		003	User Codes 768 to 999	000 to 231	000 to 231
		255	Any User Code	Not Used	Not Used
017	<i>Disarm after alarm with User Code</i>	000	User Codes 001 to 255	001 to 255	001 to 255
		001	User Codes 256 to 511	000 to 255	000 to 255
		002	User Codes 512 to 767	000 to 255	000 to 255
		003	User Codes 768 to 999	000 to 231	000 to 231
		255	Any User Code	Not Used	Not Used
018	<i>Disarm after alarm with Keypad</i>	000	Keypad numbers	001 to 032	001 to 032
		255	Any keypad	Not Used	Not Used
019	<i>Alarm Cancelled with Master</i>	000	User Codes 001 to 255	001 to 255	001 to 255
		001	User Codes 256 to 511	000 to 255	000 to 255
		002	User Codes 512 to 767	000 to 255	000 to 255
		003	User Codes 768 to 999	000 to 231	000 to 231
		255	Any User Code	Not Used	Not Used
020	<i>Alarm Cancelled with User Code</i>	000	User Codes 001 to 255	001 to 255	001 to 255
		001	User Codes 256 to 511	000 to 255	000 to 255
		002	User Codes 512 to 767	000 to 255	000 to 255
		003	User Codes 768 to 999	000 to 231	000 to 231
		255	Any User Code	Not Used	Not Used
021	<i>Alarm Cancelled with Keypad</i>	000	Keypad numbers	001 to 032	001 to 032
		255	Any keypad	Not Used	Not Used
022	<i>Special Disarming</i>	000	Auto Arm Cancelled	000	000
			One-touch Stay/Instant Disarm	001	001
			Disarming with WinLoad	002	002
			Disarming with WinLoad after alarm	003	003
			WinLoad cancelled alarm	004	004
			Future Use	005	005
			Future Use	006	006
			Future Use	007	007
		(InTouch) Voice Module Disarming	008	008	
255	Any Special Disarming Event	Not Used	Not Used		
023	<i>Zone Bypassed</i>	000 255 = any zone #	Zone Numbers	001 to 192	001 to 192
024	<i>Zone in Alarm</i>			001 to 192	001 to 192
025	<i>Fire Alarm</i>			001 to 192	001 to 192
026	<i>Zone Alarm Restore</i>			001 to 192	001 to 192
027	<i>Fire Alarm Restore</i>			001 to 192	001 to 192
028	<i>Early to Disarm by User</i>	000	User Codes 001 to 255	001 to 255	001 to 255
		001	User Codes 256 to 511	000 to 255	000 to 255
		002	User Codes 512 to 767	000 to 255	000 to 255
		003	User Codes 768 to 999	000 to 231	000 to 231
		255	Any User Code	Not Used	Not Used

Event Group	Event	Feature Group	Feature	Start #	End #
029	<i>Late to Disarm by User</i>	000	User Codes 001 to 255	001 to 255	001 to 255
		001	User Codes 256 to 511	000 to 255	000 to 255
		002	User Codes 512 to 767	000 to 255	000 to 255
		003	User Codes 768 to 999	000 to 231	000 to 231
		255	Any User Code	Not Used	Not Used
030	<i>Special Alarm</i>	000	Emergency Panic (keys 1 & 3)	000	000
			Medical Panic (keys 4 & 6)	001	001
			Fire Panic (keys 7 & 9)	002	002
			Recent Closing	003	003
			Police Code	004	004
		Zone Shutdown	005	005	
255	Any Special Alarm Event	Not Used	Not Used		
031	<i>Duress Alarm by User</i>	000	User Codes 001 to 255	001 to 255	001 to 255
		001	User Codes 256 to 511	000 to 255	000 to 255
		002	User Codes 512 to 767	000 to 255	000 to 255
		003	User Codes 768 to 999	000 to 231	000 to 231
		255	Any User Code	Not Used	Not Used
032	<i>Zone Shutdown</i>	000 255 = any zone #	Zone Numbers	001 to 192	001 to 192
033	<i>Zone Tamper</i>			001 to 192	001 to 192
034	<i>Zone Tamper Restore</i>			001 to 192	001 to 192
035	<i>Special Tamper</i>			000	Keypad Lockout
036	<i>Trouble Event</i>	000	Future Use	000	000
			AC Failure	001	001
			Battery Failure	002	002
			Auxiliary Current Limit	003	003
			Bell Current Limit	004	004
			Bell Absent	005	005
			Clock Trouble	006	006
		Global Fire Loop	007	007	
255	Any Trouble Event	Not Used	Not Used		
037	<i>Trouble Restore</i>	000	TLM Trouble	000	000
			AC Failure	001	001
			Battery Failure	002	002
			Auxiliary Current Limit	003	003
			Bell Current Limit	004	004
			Bell Absent	005	005
			Clock Trouble	006	006
		Global Fire Loop	007	007	
255	Any Trouble Restore Event	Not Used	Not Used		
038	<i>Module Trouble</i>	000	Combus Fault	000	000
			Module Tamper	001	001
			ROM/RAM error	002	002
			TLM Trouble	003	003
			Fail to Communicate	004	004
			Printer Fault	005	005
			AC Failure	006	006
			Battery Failure	007	007
		Auxiliary Failure	008	008	
255	Any Module Trouble Event	Not Used	Not Used		
039	<i>Module Trouble Restore</i>	000	Combus Fault	000	000
			Module Tamper	001	001
			ROM/RAM error	002	002
			TLM Trouble	003	003
			Fail to Communicate	004	004
			Printer Fault	005	005
			AC Failure	006	006
			Battery Failure	007	007
		Auxiliary Failure	008	008	
255	Any Module Trouble Restore Event	Not Used	Not Used		

Event Group	Event	Feature Group	Feature	Start #	End #
040	Fail to Communicate on Telephone Number	000	Telephone Number	001 to 004	001 to 004
		255	Any telephone number	Not Used	Not Used
041	Low Battery on Zone	000 255 = any Zone #	Zone Numbers	001 to 192	001 to 192
042	Zone Supervision Trouble			001 to 192	001 to 192
043	Low Battery on Zone Restored			001 to 192	001 to 192
044	Zone Supervision Trouble Restored			001 to 192	001 to 192
045	Special Events	000	Power up after total power down	000	000
			Software reset (Watchdog)	001	001
			Test Report	002	002
			Listen-In Request	003	003
			WinLoad In (connected)	004	004
			WinLoad Out (disconnected)	005	005
			Installer in programming	006	006
		Installer out of programming	007	007	
255	Any Special Event	Not Used	Not Used		
046	Early to Arm by User	000	User Codes 001 to 255	001 to 255	001 to 255
		001	User Codes 256 to 511	000 to 255	000 to 255
		002	User Codes 512 to 767	000 to 255	000 to 255
		003	User Codes 768 to 999	000 to 231	000 to 231
		255	Any User Code	Not Used	Not Used
047	Late to Arm by User	000	User Codes 001 to 255	001 to 255	001 to 255
		001	User Codes 256 to 511	000 to 255	000 to 255
		002	User Codes 512 to 767	000 to 255	000 to 255
		003	User Codes 768 to 999	000 to 231	000 to 231
		255	Any User Code	Not Used	Not Used
048	Utility Key	000	Utility Key 001 to 064*†	001 to 064	001 to 064
		255	Any Utility Key*†	Not Used	Not Used
049	Request for Exit	000 255 = any Door Number	Door Numbers	001 to 032	001 to 032
050	Access Denied			001 to 032	001 to 032
051	Door Left Open Alarm			001 to 032	001 to 032
052	Door Forced Alarm			001 to 032	001 to 032
053	Door Left Open Restore			001 to 032	001 to 032
054	Door Forced Open Restore			001 to 032	001 to 032
055	Intellizone Triggered	000	Zone Numbers	001 to 192	001 to 192
		255	Any zone number	Not Used	Not Used
056	Zone Excluded on Force Arming	000	Zone Numbers	001 to 192	001 to 192
057	Zone Went Back to Arm Status	255 = Any Zone	Zone Numbers	001 to 192	001 to 192
058	New Module Assigned on Combust	000	Module Address	001 to 254	001 to 254
059	Module Manually Removed From Combust	255 = Any Module	Module Address	001 to 254	001 to 254
060	Non Saved Event	000	Remote Control Rejected	000	000
061	Future Use	Future Use	Future Use	Future Use	Future Use
062	Access Granted to User	000	User Codes 001 to 255	001 to 255	001 to 255
		001	User Codes 256 to 511	000 to 255	000 to 255
		002	User Codes 512 to 767	000 to 255	000 to 255
		003	User Codes 768 to 999	000 to 231	000 to 231
		255	Any User Code	Not Used	Not Used
063	Access Denied to User	000	User Codes 001 to 255	001 to 255	001 to 255
		001	User Codes 256 to 511	000 to 255	000 to 255
		002	User Codes 512 to 767	000 to 255	000 to 255
		003	User Codes 768 to 999	000 to 231	000 to 231
		255	Any User Code	Not Used	Not Used

*: See page 27

†: See page 27

Event Group	Event	Feature Group	Feature	Start #	End #
064	Status 1	See Note 1 on page 27	Armed	000	000
			Force Armed	001	001
			Stay Armed	002	002
			Instant Armed	003	003
			Strobe Alarm	004	004
			Silent Alarm	005	005
			Audible Alarm	006	006
065	Status 2	See Note 1 on page 27	Fire Alarm	007	007
			Ready	000	000
			Exit Delay	001	001
			Entry Delay	002	002
			System in Trouble	003	003
			Alarm in Memory	004	004
			Zones Bypassed	005	005
066	Status 3	See Note 1 on page 27	Bypass, Master, Installer Programming	006	006
			Keypad Lockout	007	007
			Intellizone Delay Engaged**	000	000
			Fire Delay Engaged	001	001
			Auto Arm	002	002
			Arming with Voice Module (set until Exit Delay finishes)	003	003
			Tamper	004	004
067	Special Status	N/A	Zone Low Battery	005	005
			Fire Loop Trouble	006	006
			Zone Supervision Trouble	007	007
			Chime in Partition 1 to 4 <i>(000 to 003 = System 1 to 4)</i>	000 to 003	000 to 003
			Smoke Detector Power Reset	004	004
			Ground Start	005	005
			Kiss Off	006	006
			Telephone Ring	007	007
			Bell on Partition 1 to 8 <i>(008 to 015 = Partitions 1 to 8)</i>	008 to 015	008 to 015
			Pulsed Alarm in Partition 1 to 8 <i>(016 to 023 = Partitions 1 to 8)</i>	016 to 023	016 to 023
			Open/close Kiss Off in Partition 1 to 8 <i>(024 to 031 = Partitions 1 to 8)</i>	024 to 031	024 to 031
			Keyswitch/PGM Inputs # 01 to 32 <i>(032 to 063 = Keyswitch/PGM Inputs # 01 to 32)</i>	032 to 063	032 to 063
			Status of Access Door 01 to 32 <i>(064 to 095 = Access Doors 01 to 32)</i>	064 to 095	064 to 095
			Trouble in System	096	096
			Trouble in Dialer	097	097
			Trouble in Module	098	098
			Trouble in Combustion	099	099
			Future Use	100 to 102	100 to 102
			Time and Date Trouble	103	103
			AC Failure	104	104
			Battery Failure	105	105
			Auxiliary Current Limit	106	106
			Bell Current Limit	107	107
			Bell Absent	108	108
			ROM error	109	109
			RAM error	110	110
			Future Use	111	111
TLM 1 Trouble	112	112			
Fail to Communicate 1	113	113			
Fail to Communicate 2	114	114			
Fail to Communicate 3	115	115			
Fail to Communicate 4	116	116			
Fail to Communicate with PC	117	117			
Future Use	118	118			

Event Group	Event	Feature Group	Feature	Start #	End #
067	Special Status	N/A	Future Use	119	119
			Module Tamper Trouble	120	120
			Module ROM error	121	121
			Module TLM error	122	122
			Module Failure to Communicate	123	123
			Module Printer Trouble	124	124
			Module AC Failure	125	125
			Module Battery Trouble	126	126
			Module Auxiliary Failure	127	127
			Missing Keypad	128	128
			Missing Module	129	129
			Future Use	130 to 132	130 to 132
			Global Combustion Failure	133	133
			Combustion Overload	134	134
			Future Use	135	135
Dialer Relay	136	136			
070	Clock	N/A		Hour	Minutes

NOTE 1: 000 = Occurs in all partitions enabled in the system (see section [3031]).
001 = Partition 1 003 = Partition 3 005 = Partition 5 007 = Partition 7 255 = Occurs in at least one partition enabled in the system.
002 = Partition 2 004 = Partition 4 006 = Partition 6 008 = Partition 8

*: If a Keyswitch Input is used, the input must be defined as “Generates a Utility Key Event on Open” or “Generates a Utility Key Event on Open and Close”. If a remote control is used, the remote control button must be defined as a Utility Key button.

** This event cannot be used for a module’s PGM programming.

†: Actions that Activate a Utility Key Event:

Utility Key Event	Actions			
	Keypad Utility Keys	Keyswitch Inputs (definition = [3])	Keyswitch Inputs (definition = [4])	Remote Control
Utility Key Event 1	[1] & [2]	KS** Input 1 opens	KS** Input 1 opens	Utility Key 1 RC button†
Utility Key Event 2	[4] & [5]	KS** Input 2 opens	KS** Input 1 closes	Utility Key 2 RC button†
Utility Key Event 3	[7] & [8]	KS** Input 3 opens	KS** Input 2 opens	Utility Key 3 RC button†
Utility Key Event 4	[CLEAR] & [0] or [*] & [0]	KS** Input 4 opens	KS** Input 2 closes	Utility Key 4 RC button†
Utility Key Event 5	[2] & [3]	KS** Input 5 opens	KS** Input 3 opens	Utility Key 5 RC button†
Utility Key Event 6	[5] & [6]	KS** Input 6 opens	KS** Input 3 closes	N/A
Utility Key Event 7	[8] & [9]	KS** Input 7 opens	KS** Input 4 opens	N/A
Utility Key Event 8	[0] & [ENTER] or [0] & [#]	KS** Input 8 opens	KS** Input 4 closes	N/A
Utility Key Event 9	N/A	KS** Input 9 opens	KS** Input 5 opens	N/A
Utility Key Event 10	N/A	KS** Input 10 opens	KS** Input 5 closes	N/A
Utility Key Event 11	N/A	KS** Input 11 opens	KS** Input 6 opens	N/A
Utility Key Event 12	N/A	KS** Input 12 opens	KS** Input 6 closes	N/A
Utility Key Event 13	N/A	KS** Input 13 opens	KS** Input 7 opens	N/A
Utility Key Event 14	N/A	KS** Input 14 opens	KS** Input 7 closes	N/A
Utility Key Event 15	N/A	KS** Input 15 opens	KS** Input 8 opens	N/A
Utility Key Event 16	N/A	KS** Input 16 opens	KS** Input 8 closes	N/A
Utility Key Event 17	N/A	KS** Input 17 opens	KS** Input 9 opens	N/A
Utility Key Event 18	N/A	KS** Input 18 opens	KS** Input 9 closes	N/A
↓	N/A	↓	↓	N/A
Utility Key Event 31	N/A	KS** Input 31 opens	KS** Input 16 opens	N/A
Utility Key Event 32	N/A	KS** Input 32 opens	KS** Input 16 closes	N/A
Utility Key Event 33	N/A	N/A	KS** Input 17 opens	N/A
Utility Key Event 34	N/A	N/A	KS** Input 17 closes	N/A
↓	N/A	N/A	↓	N/A
Utility Key Event 63	N/A	N/A	KS** Input 32 opens	N/A
Utility Key Event 64	N/A	N/A	KS** Input 32 closes	N/A

** Keyswitch

† Refer to the MG-RTX3 Reference and Installation Manual for remote control button programming instructions.

Input Speeds

Section	Data - Decimal Value (001 - 255)	Description	Default
[0961]	__/__/__ (001 to 255) x 30 msec.	INPUT SPEED OF INPUT 01	600 msec.
[0962]	__/__/__ (001 to 255) x 30 msec.	INPUT SPEED OF INPUT 02	600 msec.
[0963]	__/__/__ (001 to 255) x 30 msec.	INPUT SPEED OF INPUT 03	600 msec.
[0964]	__/__/__ (001 to 255) x 30 msec.	INPUT SPEED OF INPUT 04	600 msec.
[0965]	__/__/__ (001 to 255) x 30 msec.	INPUT SPEED OF INPUT 05	600 msec.
[0966]	__/__/__ (001 to 255) x 30 msec.	INPUT SPEED OF INPUT 06	600 msec.
[0967]	__/__/__ (001 to 255) x 30 msec.	INPUT SPEED OF INPUT 07	600 msec.
[0968]	__/__/__ (001 to 255) x 30 msec.	INPUT SPEED OF INPUT 08	600 msec.
[0969]	__/__/__ (001 to 255) x 30 msec.	INPUT SPEED OF INPUT 09 (ATZ OF INPUT 01)	600 msec.
[0970]	__/__/__ (001 to 255) x 30 msec.	INPUT SPEED OF INPUT 10 (ATZ OF INPUT 02)	600 msec.
[0971]	__/__/__ (001 to 255) x 30 msec.	INPUT SPEED OF INPUT 11 (ATZ OF INPUT 03)	600 msec.
[0972]	__/__/__ (001 to 255) x 30 msec.	INPUT SPEED OF INPUT 12 (ATZ OF INPUT 04)	600 msec.
[0973]	__/__/__ (001 to 255) x 30 msec.	INPUT SPEED OF INPUT 13 (ATZ OF INPUT 05)	600 msec.
[0974]	__/__/__ (001 to 255) x 30 msec.	INPUT SPEED OF INPUT 14 (ATZ OF INPUT 06)	600 msec.
[0975]	__/__/__ (001 to 255) x 30 msec.	INPUT SPEED OF INPUT 15 (ATZ OF INPUT 07)	600 msec.
[0976]	__/__/__ (001 to 255) x 30 msec.	INPUT SPEED OF INPUT 16 (ATZ OF INPUT 08)	600 msec.

Installer Code Programming

Section	Data	Description	Default
[1000]	____/____/____	INSTALLER CODE (REFER TO SECTION [3001], <i>Installer lock</i> ON PAGE 36)	000000

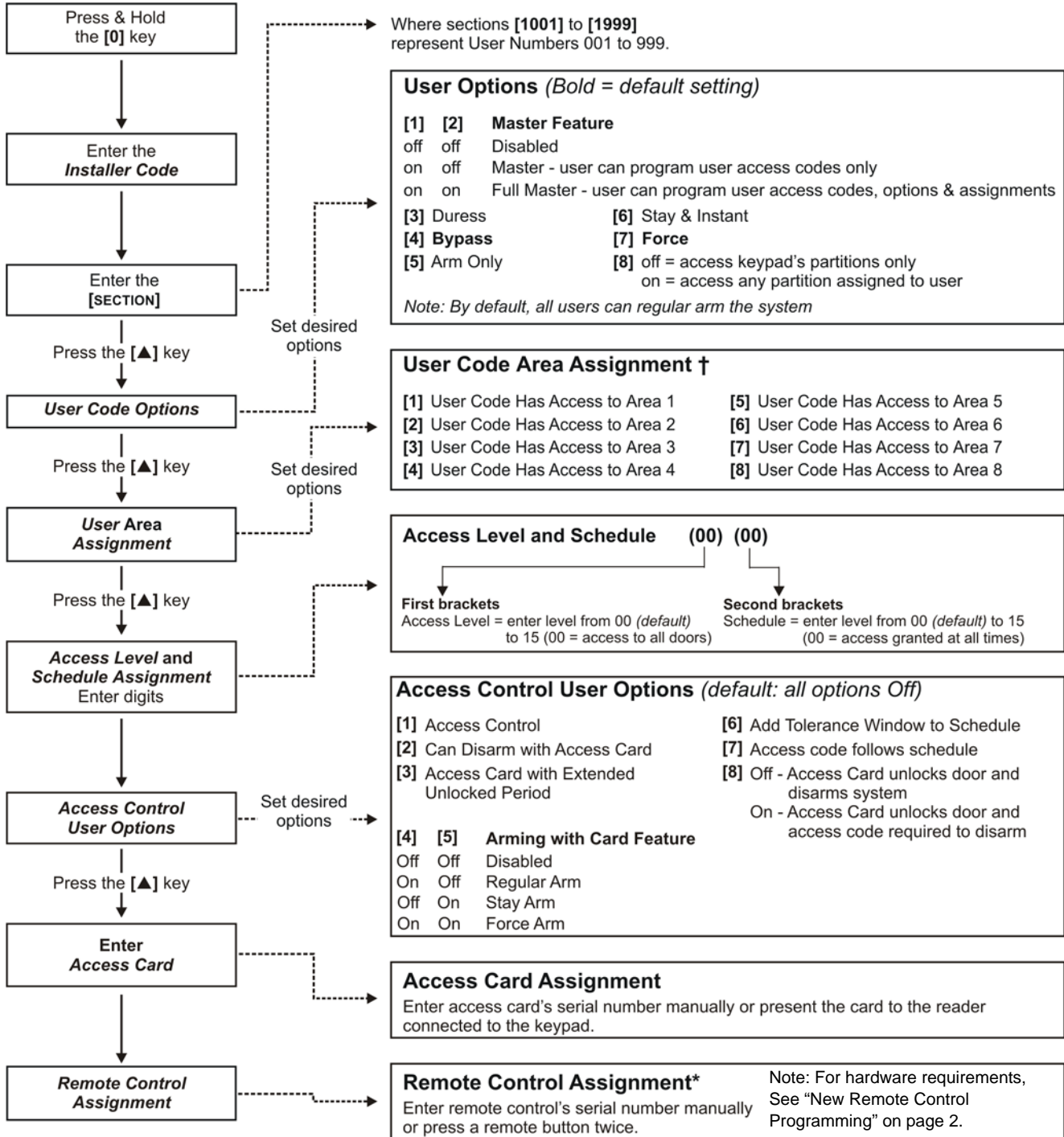
User Code Options

Sections [1001] to [1999]

The instructions that follow detail how to program access codes when using an LCD keypad. Program User Code Options, Partition Assignment and Access Control features for users 001 to 999. Refer to the appropriate keypad User's Manual for instructions on how certain users can program these values. For instructions on how to program users when using a Grafica keypad, refer to Grafica's User Manual. A complete Grafica User Manual is available on our Web site at paradox.com.



To program user labels, refer to the LCD Keypad User Guide.



Press [ENTER] or the [▲] key to save and advance to the next section

† Note: The default setting depends on the programming user's assigned partitions. For example, when a user (with master feature) that is assigned to partitions 1 and 2 programs a user code, partitions 1 and 2 will be the default setting for the new user.

* Remote controls can also be assigned using a Master Code.

Arming and Disarming Report Codes

Ademco slow, Silent Knight fast, SESCOA, Ademco express or Pager formats:

Key-in desired 2-digit hex values from 00 to FF.

Ademco format:

Use section [4033] to program a set of default Ademco report codes from the *Automatic Report Code Programming* on page 50. Then to program the remaining report codes or to change some of the defaults, enter the individual sections and key-in the desired 2-digit hex value found in the *Contact ID Report Code List* on page 53.

SIA format:

Use section [4033] to program a set of SIA report codes from the *Automatic Report Code Programming* on page 50. Codes that have not been set to default can be set to default manually by entering FF in the appropriate section. To disable the reporting of an event, enter 00 in the appropriate section.

Arming Report Codes

Section	Section	Section	Section
[2001] ___ Access Code 1	[2026] ___ Access Code 26	[2051] ___ Access Code 51	[2076] ___ Access Code 76
[2002] ___ Access Code 2	[2027] ___ Access Code 27	[2052] ___ Access Code 52	[2077] ___ Access Code 77
[2003] ___ Access Code 3	[2028] ___ Access Code 28	[2053] ___ Access Code 53	[2078] ___ Access Code 78
[2004] ___ Access Code 4	[2029] ___ Access Code 29	[2054] ___ Access Code 54	[2079] ___ Access Code 79
[2005] ___ Access Code 5	[2030] ___ Access Code 30	[2055] ___ Access Code 55	[2080] ___ Access Code 80
[2006] ___ Access Code 6	[2031] ___ Access Code 31	[2056] ___ Access Code 56	[2081] ___ Access Code 81
[2007] ___ Access Code 7	[2032] ___ Access Code 32	[2057] ___ Access Code 57	[2082] ___ Access Code 82
[2008] ___ Access Code 8	[2033] ___ Access Code 33	[2058] ___ Access Code 58	[2083] ___ Access Code 83
[2009] ___ Access Code 9	[2034] ___ Access Code 34	[2059] ___ Access Code 59	[2084] ___ Access Code 84
[2010] ___ Access Code 10	[2035] ___ Access Code 35	[2060] ___ Access Code 60	[2085] ___ Access Code 85
[2011] ___ Access Code 11	[2036] ___ Access Code 36	[2061] ___ Access Code 61	[2086] ___ Access Code 86
[2012] ___ Access Code 12	[2037] ___ Access Code 37	[2062] ___ Access Code 62	[2087] ___ Access Code 87
[2013] ___ Access Code 13	[2038] ___ Access Code 38	[2063] ___ Access Code 63	[2088] ___ Access Code 88
[2014] ___ Access Code 14	[2039] ___ Access Code 39	[2064] ___ Access Code 64	[2089] ___ Access Code 89
[2015] ___ Access Code 15	[2040] ___ Access Code 40	[2065] ___ Access Code 65	[2090] ___ Access Code 90
[2016] ___ Access Code 16	[2041] ___ Access Code 41	[2066] ___ Access Code 66	[2091] ___ Access Code 91
[2017] ___ Access Code 17	[2042] ___ Access Code 42	[2067] ___ Access Code 67	[2092] ___ Access Code 92
[2018] ___ Access Code 18	[2043] ___ Access Code 43	[2068] ___ Access Code 68	[2093] ___ Access Code 93
[2019] ___ Access Code 19	[2044] ___ Access Code 44	[2069] ___ Access Code 69	[2094] ___ Access Code 94
[2020] ___ Access Code 20	[2045] ___ Access Code 45	[2070] ___ Access Code 70	[2095] ___ Access Code 95
[2021] ___ Access Code 21	[2046] ___ Access Code 46	[2071] ___ Access Code 71	[2096] ___ Access Code 96
[2022] ___ Access Code 22	[2047] ___ Access Code 47	[2072] ___ Access Code 72	[2097] ___ Access Code 97
[2023] ___ Access Code 23	[2048] ___ Access Code 48	[2073] ___ Access Code 73	[2098] ___ Access Code 98
[2024] ___ Access Code 24	[2049] ___ Access Code 49	[2074] ___ Access Code 74	[2099] ___ Access Codes 99 to 999
[2025] ___ Access Code 25	[2050] ___ Access Code 50	[2075] ___ Access Code 75	

Disarming Report Codes

Section	Section	Section	Section
[2101] ___ Access Code 1	[2107] ___ Access Code 7	[2113] ___ Access Code 13	[2119] ___ Access Code 19
[2102] ___ Access Code 2	[2108] ___ Access Code 8	[2114] ___ Access Code 14	[2120] ___ Access Code 20
[2103] ___ Access Code 3	[2109] ___ Access Code 9	[2115] ___ Access Code 15	[2121] ___ Access Code 21
[2104] ___ Access Code 4	[2110] ___ Access Code 10	[2116] ___ Access Code 16	[2122] ___ Access Code 22
[2105] ___ Access Code 5	[2111] ___ Access Code 11	[2117] ___ Access Code 17	[2123] ___ Access Code 23
[2106] ___ Access Code 6	[2112] ___ Access Code 12	[2118] ___ Access Code 18	[2124] ___ Access Code 24

[2125]	___	Access Code 25	[2144]	___	Access Code 44	[2163]	___	Access Code 63	[2182]	___	Access Code 82
[2126]	___	Access Code 26	[2145]	___	Access Code 45	[2164]	___	Access Code 64	[2183]	___	Access Code 83
[2127]	___	Access Code 27	[2146]	___	Access Code 46	[2165]	___	Access Code 65	[2184]	___	Access Code 84
[2128]	___	Access Code 28	[2147]	___	Access Code 47	[2166]	___	Access Code 66	[2185]	___	Access Code 85
[2129]	___	Access Code 29	[2148]	___	Access Code 48	[2167]	___	Access Code 67	[2186]	___	Access Code 86
[2130]	___	Access Code 30	[2149]	___	Access Code 49	[2168]	___	Access Code 68	[2187]	___	Access Code 87
[2131]	___	Access Code 31	[2150]	___	Access Code 50	[2169]	___	Access Code 69	[2188]	___	Access Code 88
[2132]	___	Access Code 32	[2151]	___	Access Code 51	[2170]	___	Access Code 70	[2189]	___	Access Code 89
[2133]	___	Access Code 33	[2152]	___	Access Code 52	[2171]	___	Access Code 71	[2190]	___	Access Code 90
[2134]	___	Access Code 34	[2153]	___	Access Code 53	[2172]	___	Access Code 72	[2191]	___	Access Code 91
[2135]	___	Access Code 35	[2154]	___	Access Code 54	[2173]	___	Access Code 73	[2192]	___	Access Code 92
[2136]	___	Access Code 36	[2155]	___	Access Code 55	[2174]	___	Access Code 74	[2193]	___	Access Code 93
[2137]	___	Access Code 37	[2156]	___	Access Code 56	[2175]	___	Access Code 75	[2194]	___	Access Code 94
[2138]	___	Access Code 38	[2157]	___	Access Code 57	[2176]	___	Access Code 76	[2195]	___	Access Code 95
[2139]	___	Access Code 39	[2158]	___	Access Code 58	[2177]	___	Access Code 77	[2196]	___	Access Code 96
[2140]	___	Access Code 40	[2159]	___	Access Code 59	[2178]	___	Access Code 78	[2197]	___	Access Code 97
[2141]	___	Access Code 41	[2160]	___	Access Code 60	[2179]	___	Access Code 79	[2198]	___	Access Code 98
[2142]	___	Access Code 42	[2161]	___	Access Code 61	[2180]	___	Access Code 80	[2199]	___	Access Codes 99 to 999
[2143]	___	Access Code 43	[2162]	___	Access Code 62	[2181]	___	Access Code 81			

Access Control Sections

Assigning a Door to the System

These doors are used to program the Access Levels in sections [2601] to [2615]. If you want a door to be linked to the alarm system, install a door contact and assign it to a zone through *Zone Programming*. **Note: Under the Door Numbering column (see below), enter the 8-digit serial number of the Access Control Module or Keypad.**

Door Numbering			Door Options		Door Labels	
Door #	Section	Serial Number	Section	Option	Section	Label
Door 01	[2201]	____/____/____/____	[2251]	1 2 3 4 5 * * *	[2301]	____/____/____/____/____/____/____/____
Door 02	[2202]	____/____/____/____	[2252]	1 2 3 4 5 * * *	[2302]	____/____/____/____/____/____/____/____
Door 03	[2203]	____/____/____/____	[2253]	1 2 3 4 5 * * *	[2303]	____/____/____/____/____/____/____/____
Door 04	[2204]	____/____/____/____	[2254]	1 2 3 4 5 * * *	[2304]	____/____/____/____/____/____/____/____
Door 05	[2205]	____/____/____/____	[2255]	1 2 3 4 5 * * *	[2305]	____/____/____/____/____/____/____/____
Door 06	[2206]	____/____/____/____	[2256]	1 2 3 4 5 * * *	[2306]	____/____/____/____/____/____/____/____
Door 07	[2207]	____/____/____/____	[2257]	1 2 3 4 5 * * *	[2307]	____/____/____/____/____/____/____/____
Door 08	[2208]	____/____/____/____	[2258]	1 2 3 4 5 * * *	[2308]	____/____/____/____/____/____/____/____
Door 09	[2209]	____/____/____/____	[2259]	1 2 3 4 5 * * *	[2309]	____/____/____/____/____/____/____/____
Door 10	[2210]	____/____/____/____	[2260]	1 2 3 4 5 * * *	[2310]	____/____/____/____/____/____/____/____
Door 11	[2211]	____/____/____/____	[2261]	1 2 3 4 5 * * *	[2311]	____/____/____/____/____/____/____/____
Door 12	[2212]	____/____/____/____	[2262]	1 2 3 4 5 * * *	[2312]	____/____/____/____/____/____/____/____
Door 13	[2213]	____/____/____/____	[2263]	1 2 3 4 5 * * *	[2313]	____/____/____/____/____/____/____/____
Door 14	[2214]	____/____/____/____	[2264]	1 2 3 4 5 * * *	[2314]	____/____/____/____/____/____/____/____
Door 15	[2215]	____/____/____/____	[2265]	1 2 3 4 5 * * *	[2315]	____/____/____/____/____/____/____/____
Door 16	[2216]	____/____/____/____	[2266]	1 2 3 4 5 * * *	[2316]	____/____/____/____/____/____/____/____
Door 17	[2217]	____/____/____/____	[2267]	1 2 3 4 5 * * *	[2317]	____/____/____/____/____/____/____/____
Door 18	[2218]	____/____/____/____	[2268]	1 2 3 4 5 * * *	[2318]	____/____/____/____/____/____/____/____

Door 19	[2219]	_/ _/ _/ _/ _/ _/ _/ _/ _/	[2269]	1 2 3 4 5 * * *	[2319]	_/ _/ _/ _/ _/ _/ _/ _/ _/
Door 20	[2220]	_/ _/ _/ _/ _/ _/ _/ _/	[2270]	1 2 3 4 5 * * *	[2320]	_/ _/ _/ _/ _/ _/ _/ _/
Door 21	[2221]	_/ _/ _/ _/ _/ _/ _/ _/	[2271]	1 2 3 4 5 * * *	[2321]	_/ _/ _/ _/ _/ _/ _/ _/
Door 22	[2222]	_/ _/ _/ _/ _/ _/ _/ _/	[2272]	1 2 3 4 5 * * *	[2322]	_/ _/ _/ _/ _/ _/ _/ _/
Door 23	[2223]	_/ _/ _/ _/ _/ _/ _/ _/	[2273]	1 2 3 4 5 * * *	[2323]	_/ _/ _/ _/ _/ _/ _/ _/
Door 24	[2224]	_/ _/ _/ _/ _/ _/ _/ _/	[2274]	1 2 3 4 5 * * *	[2324]	_/ _/ _/ _/ _/ _/ _/ _/
Door 25	[2225]	_/ _/ _/ _/ _/ _/ _/ _/	[2275]	1 2 3 4 5 * * *	[2325]	_/ _/ _/ _/ _/ _/ _/ _/
Door 26	[2226]	_/ _/ _/ _/ _/ _/ _/ _/	[2276]	1 2 3 4 5 * * *	[2326]	_/ _/ _/ _/ _/ _/ _/ _/
Door 27	[2227]	_/ _/ _/ _/ _/ _/ _/ _/	[2277]	1 2 3 4 5 * * *	[2327]	_/ _/ _/ _/ _/ _/ _/ _/
Door 28	[2228]	_/ _/ _/ _/ _/ _/ _/ _/	[2278]	1 2 3 4 5 * * *	[2328]	_/ _/ _/ _/ _/ _/ _/ _/
Door 29	[2229]	_/ _/ _/ _/ _/ _/ _/ _/	[2279]	1 2 3 4 5 * * *	[2329]	_/ _/ _/ _/ _/ _/ _/ _/
Door 30	[2230]	_/ _/ _/ _/ _/ _/ _/ _/	[2280]	1 2 3 4 5 * * *	[2330]	_/ _/ _/ _/ _/ _/ _/ _/
Door 31	[2231]	_/ _/ _/ _/ _/ _/ _/ _/	[2281]	1 2 3 4 5 * * *	[2331]	_/ _/ _/ _/ _/ _/ _/ _/
Door 32	[2232]	_/ _/ _/ _/ _/ _/ _/ _/	[2282]	1 2 3 4 5 * * *	[2332]	_/ _/ _/ _/ _/ _/ _/ _/

Door Options: [1] "OR/AND" Door Access - Each door can be programmed to grant access only to cards assigned to at least one of the door's partitions ("OR" Door Access) or to cards assigned to all the door's assigned partitions ("AND" Door Access). Enabling option [1] will set the door in "OR" Door Access Mode. Disabling option [1] will set the door in "AND" Door Access Mode.

[2] User Code Access - When option [2] is disabled, the access control door is accessed through the reader by presenting the access card to the reader. When option [2] is enabled, a reader is not needed to access the controlled door. To access the controlled door, the user must enter their access code and then press the [ACC] button. (EVO641 / EVO641R only)

[3] Card and Code Access - Enabling option [3] will require that both a valid access control card and a valid user access code be used. The access control card and user access code must belong to the same user. Disabling option [3] requires that either a valid access control card or a valid user access code be used to access the controlled door. (LCD keypad with reader, and PosiPIN™ reader only)

[4] Restrict Arming on Door - When option [4] is enabled, that door's reader cannot be used to arm the system even if the access control card has the arming option enabled.

[5] Restrict Disarming on Door - When option [5] is enabled, that door's reader cannot be used to disarm the system even if the access control card has the disarming option enabled.

Schedule Programming

Each Schedule determines when users are permitted access. Schedules 001 to 015 (sections [2401] to [2415]) are Primary Schedules. The Primary Schedules are the only schedules that can be assigned to a User Access Code. Schedules 016 to 032 (sections [2416] to [2432]) are Secondary Schedules. The Secondary Schedules cannot be assigned to a User Access Code and can only be used as backup schedules.

Section	Schedule	Intervals	Start Time (from)	End Time (to)	Days (turn ON or OFF)								
					S	M	T	W	T	F	S	H	
PRIMARY SCHEDULES	[2401]	001	Schedule A	___:___	___:___	1	2	3	4	5	6	7	8
		Schedule B	___:___	___:___	1	2	3	4	5	6	7	8	
	[2402]	002	Schedule A	___:___	___:___	1	2	3	4	5	6	7	8
		Schedule B	___:___	___:___	1	2	3	4	5	6	7	8	
	[2403]	003	Schedule A	___:___	___:___	1	2	3	4	5	6	7	8
		Schedule B	___:___	___:___	1	2	3	4	5	6	7	8	
	[2404]	004	Schedule A	___:___	___:___	1	2	3	4	5	6	7	8
		Schedule B	___:___	___:___	1	2	3	4	5	6	7	8	
	[2405]	005	Schedule A	___:___	___:___	1	2	3	4	5	6	7	8
		Schedule B	___:___	___:___	1	2	3	4	5	6	7	8	
	[2406]	006	Schedule A	___:___	___:___	1	2	3	4	5	6	7	8
		Schedule B	___:___	___:___	1	2	3	4	5	6	7	8	
	[2407]	007	Schedule A	___:___	___:___	1	2	3	4	5	6	7	8
		Schedule B	___:___	___:___	1	2	3	4	5	6	7	8	
	[2408]	008	Schedule A	___:___	___:___	1	2	3	4	5	6	7	8
		Schedule B	___:___	___:___	1	2	3	4	5	6	7	8	
	[2409]	009	Schedule A	___:___	___:___	1	2	3	4	5	6	7	8
		Schedule B	___:___	___:___	1	2	3	4	5	6	7	8	
	[2410]	010	Schedule A	___:___	___:___	1	2	3	4	5	6	7	8
		Schedule B	___:___	___:___	1	2	3	4	5	6	7	8	
	[2411]	011	Schedule A	___:___	___:___	1	2	3	4	5	6	7	8
		Schedule B	___:___	___:___	1	2	3	4	5	6	7	8	
	[2412]	012	Schedule A	___:___	___:___	1	2	3	4	5	6	7	8
		Schedule B	___:___	___:___	1	2	3	4	5	6	7	8	

Section	Schedule	Intervals	Start Time (from)	End Time (to)	Days (turn ON or OFF)							
					S	M	T	W	T	F	S	H
[2413]	013	Schedule A	____:____	____:____	1	2	3	4	5	6	7	8
		Schedule B	____:____	____:____	1	2	3	4	5	6	7	8
[2414]	014	Schedule A	____:____	____:____	1	2	3	4	5	6	7	8
		Schedule B	____:____	____:____	1	2	3	4	5	6	7	8
[2415]	015	Schedule A	____:____	____:____	1	2	3	4	5	6	7	8
		Schedule B	____:____	____:____	1	2	3	4	5	6	7	8
[2416]	016	Schedule A	____:____	____:____	1	2	3	4	5	6	7	8
		Schedule B	____:____	____:____	1	2	3	4	5	6	7	8
[2417]	017	Schedule A	____:____	____:____	1	2	3	4	5	6	7	8
		Schedule B	____:____	____:____	1	2	3	4	5	6	7	8
[2418]	018	Schedule A	____:____	____:____	1	2	3	4	5	6	7	8
		Schedule B	____:____	____:____	1	2	3	4	5	6	7	8
[2419]	019	Schedule A	____:____	____:____	1	2	3	4	5	6	7	8
		Schedule B	____:____	____:____	1	2	3	4	5	6	7	8
[2420]	020	Schedule A	____:____	____:____	1	2	3	4	5	6	7	8
		Schedule B	____:____	____:____	1	2	3	4	5	6	7	8
[2421]	021	Schedule A	____:____	____:____	1	2	3	4	5	6	7	8
		Schedule B	____:____	____:____	1	2	3	4	5	6	7	8
[2422]	022	Schedule A	____:____	____:____	1	2	3	4	5	6	7	8
		Schedule B	____:____	____:____	1	2	3	4	5	6	7	8
[2423]	023	Schedule A	____:____	____:____	1	2	3	4	5	6	7	8
		Schedule B	____:____	____:____	1	2	3	4	5	6	7	8
[2424]	024	Schedule A	____:____	____:____	1	2	3	4	5	6	7	8
		Schedule B	____:____	____:____	1	2	3	4	5	6	7	8
[2425]	025	Schedule A	____:____	____:____	1	2	3	4	5	6	7	8
		Schedule B	____:____	____:____	1	2	3	4	5	6	7	8
[2426]	026	Schedule A	____:____	____:____	1	2	3	4	5	6	7	8
		Schedule B	____:____	____:____	1	2	3	4	5	6	7	8
[2427]	027	Schedule A	____:____	____:____	1	2	3	4	5	6	7	8
		Schedule B	____:____	____:____	1	2	3	4	5	6	7	8
[2428]	028	Schedule A	____:____	____:____	1	2	3	4	5	6	7	8
		Schedule B	____:____	____:____	1	2	3	4	5	6	7	8
[2429]	029	Schedule A	____:____	____:____	1	2	3	4	5	6	7	8
		Schedule B	____:____	____:____	1	2	3	4	5	6	7	8
[2430]	030	Schedule A	____:____	____:____	1	2	3	4	5	6	7	8
		Schedule B	____:____	____:____	1	2	3	4	5	6	7	8
[2431]	031	Schedule A	____:____	____:____	1	2	3	4	5	6	7	8
		Schedule B	____:____	____:____	1	2	3	4	5	6	7	8
[2432]	032	Schedule A	____:____	____:____	1	2	3	4	5	6	7	8
		Schedule B	____:____	____:____	1	2	3	4	5	6	7	8

SECONDARY SCHEDULES



The Start and End Time of a schedule cannot cross over into another day. For example, to program a shift from 10PM one day to 6AM the next morning, you must program Schedule A: Start Time 22:00 and End Time 23:59 then program Schedule B Start Time 00:00 and End Time 06:00. The schedule will not be interrupted between 23:59 and 00:00.

Backup Schedules

Each programmed schedule (see *Schedule Programming* on page 32) can be backed up or linked to another schedule. The backup will be used in the event that the first schedule is invalid. Enter the 3-digit number of the schedule you wish to use as the backup. *Ex: You wish to backup schedule 001 to schedule 011. In section [2501], you would enter 011.*

The control panel will verify up to 8 linked schedules, one after another, until it determines whether the card or code is valid. *Ex: If Schedule 001 is linked to Schedule 005 and Schedule 005 is linked to Schedule 030, then the control panel will verify Schedules 001, 005 and 030.*

Section	Section	Section	Section
[2501] ___/___ Schedule 001	[2509] ___/___ Schedule 009	[2517] ___/___ Schedule 017	[2525] ___/___ Schedule 025
[2502] ___/___ Schedule 002	[2510] ___/___ Schedule 010	[2518] ___/___ Schedule 018	[2526] ___/___ Schedule 026
[2503] ___/___ Schedule 003	[2511] ___/___ Schedule 011	[2519] ___/___ Schedule 019	[2527] ___/___ Schedule 027
[2504] ___/___ Schedule 004	[2512] ___/___ Schedule 012	[2520] ___/___ Schedule 020	[2528] ___/___ Schedule 028
[2505] ___/___ Schedule 005	[2513] ___/___ Schedule 013	[2521] ___/___ Schedule 021	[2529] ___/___ Schedule 029
[2506] ___/___ Schedule 006	[2514] ___/___ Schedule 014	[2522] ___/___ Schedule 022	[2530] ___/___ Schedule 030
[2507] ___/___ Schedule 007	[2515] ___/___ Schedule 015	[2523] ___/___ Schedule 023	[2531] ___/___ Schedule 031
[2508] ___/___ Schedule 008	[2516] ___/___ Schedule 016	[2524] ___/___ Schedule 024	[2532] ___/___ Schedule 032

Programming Access Levels

Each Access Level is a combination of Access Control doors. For example, if option [1] in the First Screen is enabled in section [2601], Level 01 will allow access only to Door 01.

Section	Level	Access to Doors (turn ON or OFF access):			
		First Screen Doors 01 to 08	Second Screen Doors 09 to 16	Third Screen Doors 17 to 24	Fourth Screen Doors 25 to 32
[2601]	01	1 2 3 4 5 6 7 8	1 2 3 4 5 6 7 8	1 2 3 4 5 6 7 8	1 2 3 4 5 6 7 8
[2602]	02	1 2 3 4 5 6 7 8	1 2 3 4 5 6 7 8	1 2 3 4 5 6 7 8	1 2 3 4 5 6 7 8
[2603]	03	1 2 3 4 5 6 7 8	1 2 3 4 5 6 7 8	1 2 3 4 5 6 7 8	1 2 3 4 5 6 7 8
[2604]	04	1 2 3 4 5 6 7 8	1 2 3 4 5 6 7 8	1 2 3 4 5 6 7 8	1 2 3 4 5 6 7 8
[2605]	05	1 2 3 4 5 6 7 8	1 2 3 4 5 6 7 8	1 2 3 4 5 6 7 8	1 2 3 4 5 6 7 8
[2606]	06	1 2 3 4 5 6 7 8	1 2 3 4 5 6 7 8	1 2 3 4 5 6 7 8	1 2 3 4 5 6 7 8
[2607]	07	1 2 3 4 5 6 7 8	1 2 3 4 5 6 7 8	1 2 3 4 5 6 7 8	1 2 3 4 5 6 7 8
[2608]	08	1 2 3 4 5 6 7 8	1 2 3 4 5 6 7 8	1 2 3 4 5 6 7 8	1 2 3 4 5 6 7 8
[2609]	09	1 2 3 4 5 6 7 8	1 2 3 4 5 6 7 8	1 2 3 4 5 6 7 8	1 2 3 4 5 6 7 8
[2610]	10	1 2 3 4 5 6 7 8	1 2 3 4 5 6 7 8	1 2 3 4 5 6 7 8	1 2 3 4 5 6 7 8
[2611]	11	1 2 3 4 5 6 7 8	1 2 3 4 5 6 7 8	1 2 3 4 5 6 7 8	1 2 3 4 5 6 7 8
[2612]	12	1 2 3 4 5 6 7 8	1 2 3 4 5 6 7 8	1 2 3 4 5 6 7 8	1 2 3 4 5 6 7 8
[2613]	13	1 2 3 4 5 6 7 8	1 2 3 4 5 6 7 8	1 2 3 4 5 6 7 8	1 2 3 4 5 6 7 8
[2614]	14	1 2 3 4 5 6 7 8	1 2 3 4 5 6 7 8	1 2 3 4 5 6 7 8	1 2 3 4 5 6 7 8
[2615]	15	1 2 3 4 5 6 7 8	1 2 3 4 5 6 7 8	1 2 3 4 5 6 7 8	1 2 3 4 5 6 7 8

Holiday Programming

When [H] is enabled in a schedule (refer to page 29), access is permitted to users during the days programmed in the sections below.

Section	Month	Days			
		First Screen Days 01 to 08	Second Screen Days 09 to 16	Third Screen Days 17 to 24	Fourth Screen Days 25 to 31
[2701]	January	1 2 3 4 5 6 7 8	1 2 3 4 5 6 7 8	1 2 3 4 5 6 7 8	1 2 3 4 5 6 7 *
[2702]	February	1 2 3 4 5 6 7 8	1 2 3 4 5 6 7 8	1 2 3 4 5 6 7 8	1 2 3 4 5 6 7 *
[2703]	March	1 2 3 4 5 6 7 8	1 2 3 4 5 6 7 8	1 2 3 4 5 6 7 8	1 2 3 4 5 6 7 *
[2704]	April	1 2 3 4 5 6 7 8	1 2 3 4 5 6 7 8	1 2 3 4 5 6 7 8	1 2 3 4 5 6 7 *
[2705]	May	1 2 3 4 5 6 7 8	1 2 3 4 5 6 7 8	1 2 3 4 5 6 7 8	1 2 3 4 5 6 7 *
[2706]	June	1 2 3 4 5 6 7 8	1 2 3 4 5 6 7 8	1 2 3 4 5 6 7 8	1 2 3 4 5 6 7 *
[2707]	July	1 2 3 4 5 6 7 8	1 2 3 4 5 6 7 8	1 2 3 4 5 6 7 8	1 2 3 4 5 6 7 *
[2708]	August	1 2 3 4 5 6 7 8	1 2 3 4 5 6 7 8	1 2 3 4 5 6 7 8	1 2 3 4 5 6 7 *
[2709]	September	1 2 3 4 5 6 7 8	1 2 3 4 5 6 7 8	1 2 3 4 5 6 7 8	1 2 3 4 5 6 7 *
[2710]	October	1 2 3 4 5 6 7 8	1 2 3 4 5 6 7 8	1 2 3 4 5 6 7 8	1 2 3 4 5 6 7 *
[2711]	November	1 2 3 4 5 6 7 8	1 2 3 4 5 6 7 8	1 2 3 4 5 6 7 8	1 2 3 4 5 6 7 *
[2712]	December	1 2 3 4 5 6 7 8	1 2 3 4 5 6 7 8	1 2 3 4 5 6 7 8	1 2 3 4 5 6 7 *

Keypad Numbering

Sections [2801] to [2832] are used solely for the purpose of identifying a keypad in the event buffer. Enter the 8-digit serial number of the keypad you wish to label as keypad x (1 to 32). The event buffer will then display any events pertaining to a keypad as keypad 1 or keypad 2, etc.

Section	Keypad #	Serial Number	Section	Keypad #	Serial Number	Section	Keypad #	Serial Number
[2801]	Keypad 1	____/____/____/____	[2812]	Keypad 12	____/____/____/____	[2823]	Keypad 23	____/____/____/____
[2802]	Keypad 2	____/____/____/____	[2813]	Keypad 13	____/____/____/____	[2824]	Keypad 24	____/____/____/____
[2803]	Keypad 3	____/____/____/____	[2814]	Keypad 14	____/____/____/____	[2825]	Keypad 25	____/____/____/____
[2804]	Keypad 4	____/____/____/____	[2815]	Keypad 15	____/____/____/____	[2826]	Keypad 26	____/____/____/____
[2805]	Keypad 5	____/____/____/____	[2816]	Keypad 16	____/____/____/____	[2827]	Keypad 27	____/____/____/____
[2806]	Keypad 6	____/____/____/____	[2817]	Keypad 17	____/____/____/____	[2828]	Keypad 28	____/____/____/____
[2807]	Keypad 7	____/____/____/____	[2818]	Keypad 18	____/____/____/____	[2829]	Keypad 29	____/____/____/____
[2808]	Keypad 8	____/____/____/____	[2819]	Keypad 19	____/____/____/____	[2830]	Keypad 30	____/____/____/____
[2809]	Keypad 9	____/____/____/____	[2820]	Keypad 20	____/____/____/____	[2831]	Keypad 31	____/____/____/____
[2810]	Keypad 10	____/____/____/____	[2821]	Keypad 21	____/____/____/____	[2832]	Keypad 32	____/____/____/____
[2811]	Keypad 11	____/____/____/____	[2822]	Keypad 22	____/____/____/____			

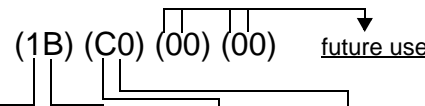
Remote Control Programming

It is possible to set up to 16 different button templates which can then be assigned to individual users. Each user is pre-programmed with a default remote control button pattern: (1 B) (C 0) (template 0).

 For hardware requirements, See "New Remote Control Programming" on page 2.

Remote Control Templates

Section	Template #	Button Options	Section	Template #	Button Options	Section	Description
[2900]	Template 0	(__)(__)	[2908]	Template 8	(__)(__)	[2940]	Default Button Template To select a button template as the default template, enter (00) to (15) representing button templates in sections [2900] to [2915].
[2901]	Template 1	(__)(__)	[2909]	Template 9	(__)(__)		
[2902]	Template 2	(__)(__)	[2910]	Template 10	(__)(__)	[2941]	Assign Button Template To assign a button template to a user, select user when prompted, then enter (00) to (15) representing button templates in sections [2900] to [2915]. If user 000 is selected, all users are modified.
[2903]	Template 3	(__)(__)	[2911]	Template 11	(__)(__)		
[2904]	Template 4	(__)(__)	[2912]	Template 12	(__)(__)		
[2905]	Template 5	(__)(__)	[2913]	Template 13	(__)(__)		
[2906]	Template 6	(__)(__)	[2914]	Template 14	(__)(__)		
[2907]	Template 7	(__)(__)	[2915]	Template 15	(__)(__)		



	Button 1	Button 2	Button 3	Buttons 2+3	Disarm
MG-REM1					
MG-REM2		•	•	• + •	
Default (1 B) (C 0)	Regular Arm	Utility Key 1	Utility Key 2	Disabled	Disarm: cannot be modified

Table 1: Template Entries

Entry	Function	Entry	Function
[0]	Button Disabled	[8]	Panic 1
[1]	Regular Arm	[9]	Panic 2
[2]	Stay Arm	A = [stay]	Panic 3
[3]	Instant Arm*	B = [force]	Utility Key 1
[4]	Force Arm*	C = [arm]	Utility Key 2
[5]	N/A	D = [disarm]	Utility Key 3
[6]	N/A	E = [byp]	Utility Key 4
[7]	N/A	F = [mem]	N/A

* Version V1.10 or higher

SECTION [3031] : Partition Options 1

Option	OFF	ON
[1] Partition 1	<input type="checkbox"/> Disabled	△ Enabled
[2] Partition 2	△ Disabled	<input type="checkbox"/> Enabled
[3] Partition 3	△ Disabled	<input type="checkbox"/> Enabled
[4] Partition 4	△ Disabled	<input type="checkbox"/> Enabled
[5] Partition 5 (EVO192 only)	△ Disabled	<input type="checkbox"/> Enabled
[6] Partition 6 (EVO192 only)	△ Disabled	<input type="checkbox"/> Enabled
[7] Partition 7 (EVO192 only)	△ Disabled	<input type="checkbox"/> Enabled
[8] Partition 8 (EVO192 only)	△ Disabled	<input type="checkbox"/> Enabled

SECTION [3033] : System Options 3

Option	OFF	ON
[1] Multiple actions in user menu	△ Disabled	<input type="checkbox"/> Enabled
[2] User code length	△ Fixed	<input type="checkbox"/> Flexible
[3] User code length (if option [2] OFF)	△ 4-digits	<input type="checkbox"/> 6-digits
[4] Power save mode	<input type="checkbox"/> Disabled	△ Enabled
[5] Bypass not displayed while system is armed	<input type="checkbox"/> Disabled	△ Enabled
[6] Trouble Latch	△ Disabled	<input type="checkbox"/> Enabled
[7] EOL resistor on hardwire zones	△ Disabled	<input type="checkbox"/> Enabled
[8] (ATZ) Zone Doubling	△ Disabled	<input type="checkbox"/> Enabled

SECTION [3035] : System Options 5

Option	OFF	ON
[1] Restrict arming on AC failure	△ Disabled	<input type="checkbox"/> Enabled
[2] Restrict arming on battery failure	△ Disabled	<input type="checkbox"/> Enabled
[3] Restrict arming on bell or auxiliary failure	△ Disabled	<input type="checkbox"/> Enabled
[4] Restrict arming on TLM failure	△ Disabled	<input type="checkbox"/> Enabled
[5] Restrict arming on module troubles	△ Disabled	<input type="checkbox"/> Enabled
[6] Account Number Transmission	△ Partition #	<input type="checkbox"/> Tel #
[7] Transmit zone status on serial port*	△ Disabled	<input type="checkbox"/> Enabled
[8] Serial Port Baud Rate	<input type="checkbox"/> 38,400	△ 57,600

*This option is used by some event monitoring software such as Hyperterminal. With WinLoad and printers, it is always being transmitted,

SECTION [3032] : Partition Options 2

Option	OFF	ON
[1] Bell/siren output in partition 1	<input type="checkbox"/> Disabled	△ Enabled
[2] Bell/siren output in partition 2	△ Disabled	<input type="checkbox"/> Enabled
[3] Bell/siren output in partition 3	△ Disabled	<input type="checkbox"/> Enabled
[4] Bell/siren output in partition 4	△ Disabled	<input type="checkbox"/> Enabled
[5] Bell/siren output in partition 5	△ Disabled	<input type="checkbox"/> Enabled
[6] Bell/siren output in partition 6	△ Disabled	<input type="checkbox"/> Enabled
[7] Bell/siren output in partition 7	△ Disabled	<input type="checkbox"/> Enabled
[8] Bell/siren output in partition 8	△ Disabled	<input type="checkbox"/> Enabled

SECTION [3034] : System Options 4

Option	OFF	ON
[1]&[2] Wireless Transmitter Supervision Options (see Table on page 37)	<input type="checkbox"/> See Table	<input type="checkbox"/> See Table
[3] Generate supervision failure if detected on a bypassed wireless zone	△ Yes	<input type="checkbox"/> No
[4] Restrict arming on a wireless transmitter supervision failure	△ Disabled	<input type="checkbox"/> Enabled
[5]&[6] Zone & Module Tamper Recognition Options (see Table on page 37)	<input type="checkbox"/> See Table	<input type="checkbox"/> See Table
[7] Generate tamper if detected on bypass zone	<input type="checkbox"/> Yes	△ No
[8] Restrict arming on tamper trouble	△ Disabled	<input type="checkbox"/> Enabled

Wireless Transmitter Supervision Options (Section [3034]: options [1] & [2])	
[1]	[2]
OFF	OFF - Disabled (default)
OFF	ON - GENERATES TROUBLE ONLY (WHEN ARMED OR DISARMED)
ON	OFF - When disarmed: GENERATES TROUBLE ONLY - When armed: Follows Zone Alarm Types (page 9)
ON	ON - When disarmed: GENERATES AUDIBLE ALARM - When armed: Follows Zone Alarm Types (page 9)

Zone & Module Tamper Recognition Options* (Section [3034]: options [5] & [6])	
[5]	[6]
OFF	OFF - Disabled (default)
OFF	ON - GENERATES TROUBLE ONLY (WHEN ARMED OR DISARMED)
ON	OFF - When disarmed: GENERATES TROUBLE ONLY - When armed: Follows Zone Alarm Types (page 9) for Zone Tamper. Generates Trouble for Module Tamper.
ON	ON - When disarmed: GENERATES AUDIBLE ALARM - When armed: Follows Zone Alarm Types (page 9)

*For instructions on wiring a panel for tamper recognition, see page 61.

Dialer Options

△ = Default setting

SECTION [3036]: Dialer Options 1

Option		OFF	ON
[1]&[2]	Telephone Line Monitoring (TLM) - (see table below)	<input type="checkbox"/> See Table	<input type="checkbox"/> See Table
[3]	Dialer (reporting to monitoring station)	△ Disabled	<input type="checkbox"/> Enabled
[4]	Dialing method	<input type="checkbox"/> Pulse	△ Tone (DTMF)
[5]	Pulse ratio (E.U. = Europe; N.A. = North America)	<input type="checkbox"/> 1:2 (E.U.)	△ 1:1.5 (N.A.)
[6]	Busy tone detection	<input type="checkbox"/> Disabled	△ Enabled
[7]	Switch to pulse dialing on 5 th attempt	△ Disabled	<input type="checkbox"/> Enabled
[8]	Bell/siren upon communication failure if system is armed	△ Disabled	<input type="checkbox"/> Enabled

SECTION [3037]: Dialer Options 2

Option		OFF	ON
[1]	Call back	△ Disabled	<input type="checkbox"/> Enabled
[2]	Automatic event buffer transmission	△ Disabled	<input type="checkbox"/> Enabled
[3]&[4]	Auto Test Report Transmission Options (see Auto Test Report Settings on page 38)	<input type="checkbox"/> See Table	<input type="checkbox"/> See Table
[5]	Keypad beep on successful arming/disarming report	△ Disabled	<input type="checkbox"/> Enabled
[6]	Alternate Dialing	△ Disabled	<input type="checkbox"/> Enabled
[7]	Dial Tone Delay (if no dial tone)	△ Force dial	<input type="checkbox"/> Hang-up
[8]	Report zone restore	△ Disabled	<input type="checkbox"/> Enabled

ON = On zone closure; OFF = On bell cut-off

Telephone Line Monitoring (TLM) Options (Section [3036]; options [1] & [2])

[1]	[2]	
OFF	OFF	Disabled (default)
OFF	ON	When armed: GENERATES AN AUDIBLE ALARM
ON	OFF	When armed: GENERATES A TROUBLE
ON	ON	TLM silent alarm: BECOMES AN AUDIBLE ALARM

Auto-Test Report Transmission Options (Section [3037]; options [3] & [4])

[3]	[4]	
OFF	OFF	Transmit the test report code every time the days programmed in section [3040] have elapsed at the time programmed in section [3041] (default).
OFF	ON	When disarmed: Transmit test report code every time the time programmed in section [3043] has elapsed. When armed: Transmit test report code every time the time programmed in section [3042] has elapsed.
ON	OFF	The control panel will transmit the test report code every hour on the minute value programmed in section [3041] (the last two digits). Note that the first two digits of section [3041] will be ignored. For example, if 10:25 was programmed into section [3041], the test report code would be transmitted at the 25 th minute of every hour, i.e. 11:25, 12:25, etc.
ON	ON	The test report code will be transmitted when any of the conditions of the second and third options listed above (options [3] = OFF and [4] = ON / options [3] = ON and [4] = OFF) are met.

Other Options

△ = Default setting

SECTION [3038]: Access Control Options

Option		OFF	ON
[1]	Access control feature	△ Disabled	<input type="checkbox"/> Enabled
[2]	Log "Request for Exit" in event buffer*	△ Disabled	<input type="checkbox"/> Enabled
[3]	Log "Door Left Open Restore" in event buffer	△ Disabled	<input type="checkbox"/> Enabled
[4]	Log "Door Forced Restore" in event buffer	△ Disabled	<input type="checkbox"/> Enabled
[5]	Burglar alarm on forced door	△ Disabled	<input type="checkbox"/> Enabled
[6]	Skip exit delay when arming with access card	△ Disabled	<input type="checkbox"/> Enabled
[7]	Burglar alarm on door left open	△ Disabled	<input type="checkbox"/> Enabled
[8]	Who has access during clock loss	△ All users	<input type="checkbox"/> Masters*



* Since "Request for Exit" events can occur often, the Event Buffer may fill up quickly.

* This also includes users with 00 for schedule access.

Schedule Tolerance Window

Section	Data	Description	Default
[3039]	__/__/__ (x 1 minute)	SCHEDULE TOLERANCE WINDOW	000

Auto Test Report Settings

Section	Data	Description	Default
[3040]	__/__/__ (x 1 day; 000 = disabled)	AUTO TEST REPORT	000
[3041]	__/:__ Hrs (00-23) & Mins (00-59)	AUTO TEST REPORT TIME OF DAY	00 : 00
[3042]	__/__/__ (000 - 255 x 1 minute)	ARMED REPORT DELAY	5 minutes
[3043]	__/__/__ (000 - 255 x 1 minute)	DISARMED REPORT DELAY	60 minutes

Timings

Section	Data	Description	Default
[3051]	__/__/__ (000 - 255)	RING COUNTER	008
[3052]	__/__/__ (000 - 255 x 4 seconds)	ANSWERING MACHINE OVERRIDE DELAY	32 seconds
[3053]	__/__/__ (000 - 255 x 2 seconds)	TLM FAIL TIMER	32 seconds
[3054]	__/__/__ (000 - 127 x 1 second)	DELAY BETWEEN DIALING ATTEMPTS	20 seconds
[3055]	__/__/__ (000 - 255 x 1 second; 000 = Instant Report)	DELAY ALARM TRANSMISSION TIMER	000
[3056]	__/__/__ (000 - 255 x 1 attempt)	MAXIMUM DIALING ATTEMPTS	8 attempts
[3057]	__/__/__ (000 - 127 x 1 second)	PAGER DELAY BEFORE DATA TRANSMISSION	20 seconds
[3058]	__/__/__ (000 - 255 x 1 minute; 000 = Instant Report)	DELAY POWER FAILURE REPORT	30 minutes
[3059]	__/__/__ (000 - 255 x 1 repeat; 000 = No Repeat)	REPEAT PAGER REPORT CODE TRANSMISSION	000
[3060]	__/__/__ (000 - 255 x 1 minute)	POWER FAILURE RESTORE DELAY REPORT	030 minutes

Communication Settings

Account Numbers



Only the SIA format supports the [0] = 0 digit in its account numbers. Account numbers that use other reporting formats do not support the [0] = 0 digit. Enter the [STAY] = A digit in its place. When using the SIA Format, and the Account Number Transmission (see option [6] in section [3035] on page 37) corresponds to the partition, the control panel only uses the Partition 1 Account Number programmed in section [3061], but the report code includes the partition number.

MSTN = Monitoring Station Telephone Number

Section	Data - Hex Value (0000 - FFFF)	Description	Default
[3061]	__/__/__/__ (if less than 4 digits, press [ENTER])	ACCOUNT NUMBER 1 (PARTITION 1* / MSTN 1 [†])	0000
[3062]	__/__/__/__ (if less than 4 digits, press [ENTER])	ACCOUNT NUMBER 2 (PARTITION 2* / MSTN 2 [†])	0000
[3063]	__/__/__/__ (if less than 4 digits, press [ENTER])	ACCOUNT NUMBER 3 (PARTITION 3* / MSTN 3 [†])	0000
[3064]	__/__/__/__ (if less than 4 digits, press [ENTER])	ACCOUNT NUMBER 4 (PARTITION 4* / MSTN 4 [†])	0000
[3065]	__/__/__/__ (if less than 4 digits, press [ENTER])	ACCOUNT NUMBER 5 (PARTITION 5* / N/A [†])	0000
[3066]	__/__/__/__ (if less than 4 digits, press [ENTER])	ACCOUNT NUMBER 6 (PARTITION 6* / N/A [†])	0000
[3067]	__/__/__/__ (if less than 4 digits, press [ENTER])	ACCOUNT NUMBER 7 (PARTITION 7* / N/A [†])	0000
[3068]	__/__/__/__ (if less than 4 digits, press [ENTER])	ACCOUNT NUMBER 8 (PARTITION 8* / N/A [†])	0000

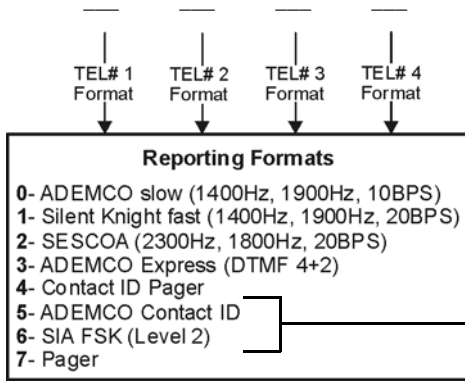
* Option [6] in section [3035] is disabled.

† Option [6] in section [3035] is enabled.

Reporting Formats

Section

[3070]



Description

REPORTING FORMATS FOR TELEPHONE NUMBERS 1 TO 4

Use the same format for each number. Only the pager format can be used with other reporting formats.

For more information, refer to Automatic Report Code Programming on page 50.

Section Data (Press [ENTER] if less than 32 digits)

Description

- [3071] _____ MONITORING STATION/PAGER TELEPHONE #1
- [3072] _____ MONITORING STATION/PAGER TELEPHONE #2
- [3073] _____ MONITORING STATION/PAGER TELEPHONE #3
- [3074] _____ MONITORING STATION/PAGER TELEPHONE #4

! For North American installations using either SIA or Contact ID reporting formats, enter *70 and then either P (4-second pause) or W (wait for second dial tone) before the phone number in sections [3071] to [3074] to disable call-waiting.

Special Telephone Number Keys					
Function	LCD	Grafica	Function	LCD	Grafica
*	[STAY]	[#] (press key until desired letter/symbol appears)	Clear	[CLEAR]	Left action key (Clear)
#	[FORCE]		Delete	[TRBL]	—
Switch to Tone Dialing (T)	[ARM]		Delete from cursor to the end	[ACC]	—
Wait for second dial tone (W)	[DISARM]		Insert space	[MEM]	—
4-second pause (P)	[BYP]		Dial 9 for outside line	9+[STAY]	—

System Event Call Direction

△ = Default setting

SECTION [3080]: System Troubles & Trouble Restores

Option	OFF	ON
[1] Call Telephone #1	<input type="checkbox"/> Disabled	△ Enabled
[2] Call Telephone #2	△ Disabled	<input type="checkbox"/> Enabled
[3] Call Telephone #3	△ Disabled	<input type="checkbox"/> Enabled
[4] Call Telephone #4	△ Disabled	<input type="checkbox"/> Enabled
[5] Backup on Telephone #1	△ Disabled	<input type="checkbox"/> Enabled
[6] Backup on Telephone #2	△ Disabled	<input type="checkbox"/> Enabled
[7] Backup on Telephone #3	△ Disabled	<input type="checkbox"/> Enabled
[8] Backup on Telephone #4	△ Disabled	<input type="checkbox"/> Enabled

→ ENABLE ONLY ONE

SECTION [3081]: Special Reporting

Option	OFF	ON
[1] Call Telephone #1	<input type="checkbox"/> Disabled	△ Enabled
[2] Call Telephone #2	△ Disabled	<input type="checkbox"/> Enabled
[3] Call Telephone #3	△ Disabled	<input type="checkbox"/> Enabled
[4] Call Telephone #4	△ Disabled	<input type="checkbox"/> Enabled
[5] Backup on Telephone #1	△ Disabled	<input type="checkbox"/> Enabled
[6] Backup on Telephone #2	△ Disabled	<input type="checkbox"/> Enabled
[7] Backup on Telephone #3	△ Disabled	<input type="checkbox"/> Enabled
[8] Backup on Telephone #4	△ Disabled	<input type="checkbox"/> Enabled

→ ENABLE ONLY ONE

VDMP3 Voice Module

Program up to 8 telephone numbers which the VDMP3 will call in sequence in the case of an alarm. Telephone numbers should be programmed in priority sequence as the VDMP3 will start with telephone number 1.

SECTION [3087]: VDMP3 Features (PGM)

Option		OFF	ON
[1]	Feature (PGM) 1	<input checked="" type="checkbox"/> Disabled	<input type="checkbox"/> Enabled
[2]	Feature (PGM) 2	<input checked="" type="checkbox"/> Disabled	<input type="checkbox"/> Enabled
[3]	Feature (PGM) 3	<input checked="" type="checkbox"/> Disabled	<input type="checkbox"/> Enabled
[4]	Feature (PGM) 4	<input checked="" type="checkbox"/> Disabled	<input type="checkbox"/> Enabled
[5]	Feature (PGM) 5	<input checked="" type="checkbox"/> Disabled	<input type="checkbox"/> Enabled
[6]	Feature (PGM) 6	<input checked="" type="checkbox"/> Disabled	<input type="checkbox"/> Enabled
[7]	Feature (PGM) 7	<input checked="" type="checkbox"/> Disabled	<input type="checkbox"/> Enabled
[8]	Feature (PGM) 8	<input checked="" type="checkbox"/> Disabled	<input type="checkbox"/> Enabled

To see how VDMP3 Features relate to EVO Utility Key functions, See "Feature Activation (PGMs)" on page 55.

VDMP3 Settings

Section	Data	Description	Default
[3088]	__/_/__(000 - 127 x 1 second)	DELAY BEFORE SENDING THE VOICE MESSAGE	003
[3089]	__/_/__(000 - 255 x 1 repetitions)	DEFINES THE NUMBER OF TIMES THE VOICE MESSAGE IS REPEATED	008

SECTION [3090]: VDMP3 Functions

Option		OFF	ON
[1]	Arm / Disarm	<input type="checkbox"/> Disabled	<input checked="" type="checkbox"/> Enabled
[2]	Voice Reporting	<input type="checkbox"/> Disabled	<input checked="" type="checkbox"/> Enabled

Section	Data (Press [ENTER] if less than 32 digits)	Description
[3091]	_____ _____ _____ _____ _____ _____ _____ _____ _____ _____	VOICE MODULE TELEPHONE NUMBER 1
[3092]	_____ _____ _____ _____ _____ _____ _____ _____ _____ _____	VOICE MODULE TELEPHONE NUMBER 2
[3093]	_____ _____ _____ _____ _____ _____ _____ _____ _____ _____	VOICE MODULE TELEPHONE NUMBER 3
[3094]	_____ _____ _____ _____ _____ _____ _____ _____ _____ _____	VOICE MODULE TELEPHONE NUMBER 4
[3095]	_____ _____ _____ _____ _____ _____ _____ _____ _____ _____	VOICE MODULE TELEPHONE NUMBER 5
[3096]	_____ _____ _____ _____ _____ _____ _____ _____ _____ _____	VOICE MODULE TELEPHONE NUMBER 6
[3097]	_____ _____ _____ _____ _____ _____ _____ _____ _____ _____	VOICE MODULE TELEPHONE NUMBER 7
[3098]	_____ _____ _____ _____ _____ _____ _____ _____ _____ _____	VOICE MODULE TELEPHONE NUMBER 8

For extra key functions, see *Special Telephone Number Keys* on page 40

Option		Partition 1 [3133]		Partition 2 [3233]		Partition 3 [3333]		Partition 4 [3433]		Partition 5 [3533]		Partition 6 [3633]		Partition 7 [3733]		Partition 8 [3833]	
		OFF	ON	OFF	ON	OFF	ON	OFF	ON	OFF	ON	OFF	ON	OFF	ON	OFF	ON
[1]	Telephone number 1	<input type="checkbox"/>	<input checked="" type="checkbox"/>	<input type="checkbox"/>	<input checked="" type="checkbox"/>	<input type="checkbox"/>	<input checked="" type="checkbox"/>	<input type="checkbox"/>	<input checked="" type="checkbox"/>	<input type="checkbox"/>	<input checked="" type="checkbox"/>	<input type="checkbox"/>	<input checked="" type="checkbox"/>	<input type="checkbox"/>	<input checked="" type="checkbox"/>	<input type="checkbox"/>	<input checked="" type="checkbox"/>
[2]	Telephone number 2	<input checked="" type="checkbox"/>	<input type="checkbox"/>	<input checked="" type="checkbox"/>	<input type="checkbox"/>	<input checked="" type="checkbox"/>	<input type="checkbox"/>	<input checked="" type="checkbox"/>	<input type="checkbox"/>	<input checked="" type="checkbox"/>	<input type="checkbox"/>	<input checked="" type="checkbox"/>	<input type="checkbox"/>	<input checked="" type="checkbox"/>	<input type="checkbox"/>	<input checked="" type="checkbox"/>	<input type="checkbox"/>
[3]	Telephone number 3	<input checked="" type="checkbox"/>	<input type="checkbox"/>	<input checked="" type="checkbox"/>	<input type="checkbox"/>	<input checked="" type="checkbox"/>	<input type="checkbox"/>	<input checked="" type="checkbox"/>	<input type="checkbox"/>	<input checked="" type="checkbox"/>	<input type="checkbox"/>	<input checked="" type="checkbox"/>	<input type="checkbox"/>	<input checked="" type="checkbox"/>	<input type="checkbox"/>	<input checked="" type="checkbox"/>	<input type="checkbox"/>
[4]	Telephone number 4	<input checked="" type="checkbox"/>	<input type="checkbox"/>	<input checked="" type="checkbox"/>	<input type="checkbox"/>	<input checked="" type="checkbox"/>	<input type="checkbox"/>	<input checked="" type="checkbox"/>	<input type="checkbox"/>	<input checked="" type="checkbox"/>	<input type="checkbox"/>	<input checked="" type="checkbox"/>	<input type="checkbox"/>	<input checked="" type="checkbox"/>	<input type="checkbox"/>	<input checked="" type="checkbox"/>	<input type="checkbox"/>
[5]	Telephone number 5	<input checked="" type="checkbox"/>	<input type="checkbox"/>	<input checked="" type="checkbox"/>	<input type="checkbox"/>	<input checked="" type="checkbox"/>	<input type="checkbox"/>	<input checked="" type="checkbox"/>	<input type="checkbox"/>	<input checked="" type="checkbox"/>	<input type="checkbox"/>	<input checked="" type="checkbox"/>	<input type="checkbox"/>	<input checked="" type="checkbox"/>	<input type="checkbox"/>	<input checked="" type="checkbox"/>	<input type="checkbox"/>
[6]	Telephone number 6	<input checked="" type="checkbox"/>	<input type="checkbox"/>	<input checked="" type="checkbox"/>	<input type="checkbox"/>	<input checked="" type="checkbox"/>	<input type="checkbox"/>	<input checked="" type="checkbox"/>	<input type="checkbox"/>	<input checked="" type="checkbox"/>	<input type="checkbox"/>	<input checked="" type="checkbox"/>	<input type="checkbox"/>	<input checked="" type="checkbox"/>	<input type="checkbox"/>	<input checked="" type="checkbox"/>	<input type="checkbox"/>
[7]	Telephone number 7	<input checked="" type="checkbox"/>	<input type="checkbox"/>	<input checked="" type="checkbox"/>	<input type="checkbox"/>	<input checked="" type="checkbox"/>	<input type="checkbox"/>	<input checked="" type="checkbox"/>	<input type="checkbox"/>	<input checked="" type="checkbox"/>	<input type="checkbox"/>	<input checked="" type="checkbox"/>	<input type="checkbox"/>	<input checked="" type="checkbox"/>	<input type="checkbox"/>	<input checked="" type="checkbox"/>	<input type="checkbox"/>
[8]	Telephone number 8	<input checked="" type="checkbox"/>	<input type="checkbox"/>	<input checked="" type="checkbox"/>	<input type="checkbox"/>	<input checked="" type="checkbox"/>	<input type="checkbox"/>	<input checked="" type="checkbox"/>	<input type="checkbox"/>	<input checked="" type="checkbox"/>	<input type="checkbox"/>	<input checked="" type="checkbox"/>	<input type="checkbox"/>	<input checked="" type="checkbox"/>	<input type="checkbox"/>	<input checked="" type="checkbox"/>	<input type="checkbox"/>

Partition Settings

<table border="0" style="width: 100%;"> <tr> <td style="width: 15%;">Section</td> <td style="width: 85%;">Partition Label</td> </tr> <tr> <td>[3100]</td> <td>_____ Partition 1</td> </tr> <tr> <td>[3200]</td> <td>_____ Partition 2</td> </tr> <tr> <td>[3300]</td> <td>_____ Partition 3</td> </tr> <tr> <td>[3400]</td> <td>_____ Partition 4</td> </tr> </table>	Section	Partition Label	[3100]	_____ Partition 1	[3200]	_____ Partition 2	[3300]	_____ Partition 3	[3400]	_____ Partition 4	<table border="0" style="width: 100%;"> <tr> <td style="width: 15%;">Section</td> <td style="width: 85%;">Partition Label</td> </tr> <tr> <td>[3500]</td> <td>_____ Partition 5</td> </tr> <tr> <td>[3600]</td> <td>_____ Partition 6</td> </tr> <tr> <td>[3700]</td> <td>_____ Partition 7</td> </tr> <tr> <td>[3800]</td> <td>_____ Partition 8</td> </tr> </table>	Section	Partition Label	[3500]	_____ Partition 5	[3600]	_____ Partition 6	[3700]	_____ Partition 7	[3800]	_____ Partition 8
Section	Partition Label																				
[3100]	_____ Partition 1																				
[3200]	_____ Partition 2																				
[3300]	_____ Partition 3																				
[3400]	_____ Partition 4																				
Section	Partition Label																				
[3500]	_____ Partition 5																				
[3600]	_____ Partition 6																				
[3700]	_____ Partition 7																				
[3800]	_____ Partition 8																				

Auto-Arm Times

SECTION [3101]: Partition 1	SECTION [3201]: Partition 2	SECTION [3301]: Partition 3	SECTION [3401]: Partition 4
Hours (00-23) & Minutes (00-59)	Hours (00-23) & Minutes (00-59)	Hours (00-23) & Minutes (00-59)	Hours (00-23) & Minutes (00-59)
__ : __	__ : __	__ : __	__ : __
SECTION [3501]: Partition 5	SECTION [3601]: Partition 6	SECTION [3701]: Partition 7	SECTION [3801]: Partition 8
Hours (00-23) & Minutes (00-59)	Hours (00-23) & Minutes (00-59)	Hours (00-23) & Minutes (00-59)	Hours (00-23) & Minutes (00-59)
__ : __	__ : __	__ : __	__ : __

Arming Report Schedules (If partition is armed outside schedule, the panel will send an Early to Close [3916] and/or Late to Close [3917] report code; see page 48)

Section	Schedule	Intervals	Start Time (from)	End Time (to)	Days (turn ON or OFF)							
					S	M	T	W	T	F	S	H
[3102] Partition 1	001	Schedule A	__ : __	__ : __	1	2	3	4	5	6	7	8
		Schedule B	__ : __	__ : __	1	2	3	4	5	6	7	8
[3202] Partition 2	002	Schedule A	__ : __	__ : __	1	2	3	4	5	6	7	8
		Schedule B	__ : __	__ : __	1	2	3	4	5	6	7	8
[3302] Partition 3	003	Schedule A	__ : __	__ : __	1	2	3	4	5	6	7	8
		Schedule B	__ : __	__ : __	1	2	3	4	5	6	7	8
[3402] Partition 4	004	Schedule A	__ : __	__ : __	1	2	3	4	5	6	7	8
		Schedule B	__ : __	__ : __	1	2	3	4	5	6	7	8
[3502] Partition 5	005	Schedule A	__ : __	__ : __	1	2	3	4	5	6	7	8
		Schedule B	__ : __	__ : __	1	2	3	4	5	6	7	8
[3602] Partition 6	006	Schedule A	__ : __	__ : __	1	2	3	4	5	6	7	8
		Schedule B	__ : __	__ : __	1	2	3	4	5	6	7	8
[3702] Partition 7	007	Schedule A	__ : __	__ : __	1	2	3	4	5	6	7	8
		Schedule B	__ : __	__ : __	1	2	3	4	5	6	7	8
[3802] Partition 8	008	Schedule A	__ : __	__ : __	1	2	3	4	5	6	7	8
		Schedule B	__ : __	__ : __	1	2	3	4	5	6	7	8

Disarming Report Schedules (If partition is disarmed outside schedule, the panel will send an Early to Open [3926] and/or Late to Open [3927] report code; see page 48)

Section	Schedule	Intervals	Start Time (from)	End Time (to)	Days (turn ON or OFF)							
					S	M	T	W	T	F	S	H
[3103] Partition 1	001	Schedule A	__ : __	__ : __	1	2	3	4	5	6	7	8
		Schedule B	__ : __	__ : __	1	2	3	4	5	6	7	8
[3203] Partition 2	002	Schedule A	__ : __	__ : __	1	2	3	4	5	6	7	8
		Schedule B	__ : __	__ : __	1	2	3	4	5	6	7	8
[3303] Partition 3	003	Schedule A	__ : __	__ : __	1	2	3	4	5	6	7	8
		Schedule B	__ : __	__ : __	1	2	3	4	5	6	7	8
[3403] Partition 4	004	Schedule A	__ : __	__ : __	1	2	3	4	5	6	7	8
		Schedule B	__ : __	__ : __	1	2	3	4	5	6	7	8
[3503] Partition 5	005	Schedule A	__ : __	__ : __	1	2	3	4	5	6	7	8
		Schedule B	__ : __	__ : __	1	2	3	4	5	6	7	8
[3603] Partition 6	006	Schedule A	__ : __	__ : __	1	2	3	4	5	6	7	8
		Schedule B	__ : __	__ : __	1	2	3	4	5	6	7	8
[3703] Partition 7	007	Schedule A	__ : __	__ : __	1	2	3	4	5	6	7	8
		Schedule B	__ : __	__ : __	1	2	3	4	5	6	7	8
[3803] Partition 8	008	Schedule A	__ : __	__ : __	1	2	3	4	5	6	7	8
		Schedule B	__ : __	__ : __	1	2	3	4	5	6	7	8

Partition Timers

Description Decimal Values from 000 to 255	Partition 1		Partition 2		Partition 3		Partition 4		Partition 5		Partition 6		Partition 7		Partition 8	
	Section	Data	Section	Data	Section	Data	Section	Data	Section	Data	Section	Data	Section	Data	Section	Data
Arming/Disarming Schedule Tolerance Window (Data x 1 minute; Default = 000)	[3104]	___/___	[3204]	___/___	[3304]	___/___	[3404]	___/___	[3504]	___/___	[3604]	___/___	[3704]	___/___	[3804]	___/___
# of Invalid Codes Before Lockout (Data x 1 attempt; Default = 005 attempts)	[3105]	___/___	[3205]	___/___	[3305]	___/___	[3405]	___/___	[3505]	___/___	[3605]	___/___	[3705]	___/___	[3805]	___/___
Keypad Lockout Duration (Data x 1 minute, 000 = Report Only; Default = 015)	[3106]	___/___	[3206]	___/___	[3306]	___/___	[3406]	___/___	[3506]	___/___	[3606]	___/___	[3706]	___/___	[3806]	___/___
No Movement Timer (Data x 5 minutes; Default = Disabled)	[3107]	___/___	[3207]	___/___	[3307]	___/___	[3407]	___/___	[3507]	___/___	[3607]	___/___	[3707]	___/___	[3807]	___/___
Exit Delay Timer (Data x 1 second; Default = 060 seconds)	[3108]	___/___	[3208]	___/___	[3308]	___/___	[3408]	___/___	[3508]	___/___	[3608]	___/___	[3708]	___/___	[3808]	___/___
Recent Closing Delay (Data x 1 second; Default = Disabled)	[3109]	___/___	[3209]	___/___	[3309]	___/___	[3409]	___/___	[3509]	___/___	[3609]	___/___	[3709]	___/___	[3809]	___/___
Intellizone Delay (Data x 1 second; Default = 032 seconds)	[3110]	___/___	[3210]	___/___	[3310]	___/___	[3410]	___/___	[3510]	___/___	[3610]	___/___	[3710]	___/___	[3810]	___/___
Entry Delay 1 (Data x 1 second; Default = 030 seconds)	[3111]	___/___	[3211]	___/___	[3311]	___/___	[3411]	___/___	[3511]	___/___	[3611]	___/___	[3711]	___/___	[3811]	___/___
Entry Delay 2 (Data x 1 second; Default = 060 seconds)	[3112]	___/___	[3212]	___/___	[3312]	___/___	[3412]	___/___	[3512]	___/___	[3612]	___/___	[3712]	___/___	[3812]	___/___
Bell Cut-off Timer (Data x 1 minute; Default = 4 minutes)	[3113]	___/___	[3213]	___/___	[3313]	___/___	[3413]	___/___	[3513]	___/___	[3613]	___/___	[3713]	___/___	[3813]	___/___
Auto Zone Shutdown (000 to 015 alarms; Default = Disabled)	[3114]	___/___	[3214]	___/___	[3314]	___/___	[3414]	___/___	[3514]	___/___	[3614]	___/___	[3714]	___/___	[3814]	___/___
Max. # of Zones that can be Bypassed (Data x 1 zone; Default = unlimited)	[3115]	___/___	[3215]	___/___	[3315]	___/___	[3415]	___/___	[3515]	___/___	[3615]	___/___	[3715]	___/___	[3815]	___/___
Recycle Delay (Data x 1 minute; Default = Disabled)	[3116]	___/___	[3216]	___/___	[3316]	___/___	[3416]	___/___	[3516]	___/___	[3616]	___/___	[3716]	___/___	[3816]	___/___
Number of Recycles (Data x 1 attempt; Default = unlimited)	[3117]	___/___	[3217]	___/___	[3317]	___/___	[3417]	___/___	[3517]	___/___	[3617]	___/___	[3717]	___/___	[3817]	___/___
Police Code Timer (Data x 1 minute; Default = Disabled)	[3118]	___/___	[3218]	___/___	[3318]	___/___	[3418]	___/___	[3518]	___/___	[3618]	___/___	[3718]	___/___	[3818]	___/___
Closing Delinquency Timer (Data x 1 day; Default = Disabled)	[3119]	___/___	[3219]	___/___	[3319]	___/___	[3419]	___/___	[3519]	___/___	[3619]	___/___	[3719]	___/___	[3819]	___/___
Postpone auto-arm delay (Data x 15 minute Default = 0)	[3120]	___/___	[3220]	___/___	[3320]	___/___	[3420]	___/___	[3520]	___/___	[3620]	___/___	[3720]	___/___	[3820]	___/___

Partition Options 1

SECTION [3121] : Partition 1				SECTION [3221] : Partition 2				SECTION [3321] : Partition 3			
Option	(△ = Default Setting)	OFF Disabled	ON Enabled	Option	(△ = Default Setting)	OFF Disabled	ON Enabled	Option	(△ = Default Setting)	OFF Disabled	ON Enabled
[1]	Switch to Stay Arm (if no Delay zone opened)	△	<input type="checkbox"/>	[1]	Arm/Disarm with Partition 1	△	<input type="checkbox"/>	[1]	Arm/Disarm with Partition 1	△	<input type="checkbox"/>
[2]	Arm/Disarm with Partition 2	△	<input type="checkbox"/>	[2]	Switch to Stay Arm (if no Delay zone opened)	△	<input type="checkbox"/>	[2]	Arm/Disarm with Partition 2	△	<input type="checkbox"/>
[3]	Arm/Disarm with Partition 3	△	<input type="checkbox"/>	[3]	Arm/Disarm with Partition 3	△	<input type="checkbox"/>	[3]	Switch to Stay Arm (if no Delay zone opened)	△	<input type="checkbox"/>
[4]	Arm/Disarm with Partition 4	△	<input type="checkbox"/>	[4]	Arm/Disarm with Partition 4	△	<input type="checkbox"/>	[4]	Arm/Disarm with Partition 4	△	<input type="checkbox"/>
[5]	Arm/Disarm with Partition 5	△	<input type="checkbox"/>	[5]	Arm/Disarm with Partition 5	△	<input type="checkbox"/>	[5]	Arm/Disarm with Partition 5	△	<input type="checkbox"/>
[6]	Arm/Disarm with Partition 6	△	<input type="checkbox"/>	[6]	Arm/Disarm with Partition 6	△	<input type="checkbox"/>	[6]	Arm/Disarm with Partition 6	△	<input type="checkbox"/>
[7]	Arm/Disarm with Partition 7	△	<input type="checkbox"/>	[7]	Arm/Disarm with Partition 7	△	<input type="checkbox"/>	[7]	Arm/Disarm with Partition 7	△	<input type="checkbox"/>
[8]	Arm/Disarm with Partition 8	△	<input type="checkbox"/>	[8]	Arm/Disarm with Partition 8	△	<input type="checkbox"/>	[8]	Arm/Disarm with Partition 8	△	<input type="checkbox"/>

SECTION [3421] : Partition 4

Option	(△ = Default Setting)	OFF Disabled	ON Enabled
[1]	Arm/Disarm with Partition 1	△	<input type="checkbox"/>
[2]	Arm/Disarm with Partition 2	△	<input type="checkbox"/>
[3]	Arm/Disarm with Partition 3	△	<input type="checkbox"/>
[4]	Switch to Stay Arm (if no Delay zone opened)	△	<input type="checkbox"/>
[5]	Arm/Disarm with Partition 5	△	<input type="checkbox"/>
[6]	Arm/Disarm with Partition 6	△	<input type="checkbox"/>
[7]	Arm/Disarm with Partition 7	△	<input type="checkbox"/>
[8]	Arm/Disarm with Partition 8	△	<input type="checkbox"/>

SECTION [3521] : Partition 5

Option	(△ = Default Setting)	OFF Disabled	ON Enabled
[1]	Arm/Disarm with Partition 1	△	<input type="checkbox"/>
[2]	Arm/Disarm with Partition 2	△	<input type="checkbox"/>
[3]	Arm/Disarm with Partition 3	△	<input type="checkbox"/>
[4]	Arm/Disarm with Partition 4	△	<input type="checkbox"/>
[5]	Switch to Stay Arm (if no Delay zone opened)	△	<input type="checkbox"/>
[6]	Arm/Disarm with Partition 6	△	<input type="checkbox"/>
[7]	Arm/Disarm with Partition 7	△	<input type="checkbox"/>
[8]	Arm/Disarm with Partition 8	△	<input type="checkbox"/>

SECTION [3621] : Partition 6

Option	(△ = Default Setting)	OFF Disabled	ON Enabled
[1]	Arm/Disarm with Partition 1	△	<input type="checkbox"/>
[2]	Arm/Disarm with Partition 2	△	<input type="checkbox"/>
[3]	Arm/Disarm with Partition 3	△	<input type="checkbox"/>
[4]	Arm/Disarm with Partition 4	△	<input type="checkbox"/>
[5]	Arm/Disarm with Partition 5	△	<input type="checkbox"/>
[6]	Switch to Stay Arm (if no Delay zone opened)	△	<input type="checkbox"/>
[7]	Arm/Disarm with Partition 7	△	<input type="checkbox"/>
[8]	Arm/Disarm with Partition 8	△	<input type="checkbox"/>

SECTION [3721] : Partition 7

Option	(△ = Default Setting)	OFF Disabled	ON Enabled
[1]	Arm/Disarm with Partition 1	△	<input type="checkbox"/>
[2]	Arm/Disarm with Partition 2	△	<input type="checkbox"/>
[3]	Arm/Disarm with Partition 3	△	<input type="checkbox"/>
[4]	Arm/Disarm with Partition 4	△	<input type="checkbox"/>
[5]	Arm/Disarm with Partition 5	△	<input type="checkbox"/>
[6]	Arm/Disarm with Partition 6	△	<input type="checkbox"/>
[7]	Switch to Stay Arm (if no Delay zone opened)	△	<input type="checkbox"/>
[8]	Arm/Disarm with Partition 8	△	<input type="checkbox"/>

SECTION [3821] : Partition 8

Option	(△ = Default Setting)	OFF Disabled	ON Enabled
[1]	Arm/Disarm with Partition 1	△	<input type="checkbox"/>
[2]	Arm/Disarm with Partition 2	△	<input type="checkbox"/>
[3]	Arm/Disarm with Partition 3	△	<input type="checkbox"/>
[4]	Arm/Disarm with Partition 4	△	<input type="checkbox"/>
[5]	Arm/Disarm with Partition 5	△	<input type="checkbox"/>
[6]	Arm/Disarm with Partition 6	△	<input type="checkbox"/>
[7]	Arm/Disarm with Partition 7	△	<input type="checkbox"/>
[8]	Switch to Stay Arm (if no Delay zone opened)	△	<input type="checkbox"/>

Partition Arming / Disarming Options

Option	(△ = Default Setting)	Partition 1 [3122]		Partition 2 [3222]		Partition 3 [3322]		Partition 4 [3422]		Partition 5 [3522]		Partition 6 [3622]		Partition 7 [3722]		Partition 8 [3822]	
		OFF	ON	OFF	ON	OFF	ON	OFF	ON	OFF	ON	OFF	ON	OFF	ON	OFF	ON
[1]	Timed Auto-Arming	△	<input type="checkbox"/>	△	<input type="checkbox"/>	△	<input type="checkbox"/>	△	<input type="checkbox"/>	△	<input type="checkbox"/>	△	<input type="checkbox"/>	△	<input type="checkbox"/>	△	<input type="checkbox"/>
[2]	"No Movement" Auto-Arming	△	<input type="checkbox"/>	△	<input type="checkbox"/>	△	<input type="checkbox"/>	△	<input type="checkbox"/>	△	<input type="checkbox"/>	△	<input type="checkbox"/>	△	<input type="checkbox"/>	△	<input type="checkbox"/>
[3]	Arming method for Auto Arm (OFF = Force Arming; ON = Stay Arming)	△	<input type="checkbox"/>	△	<input type="checkbox"/>	△	<input type="checkbox"/>	△	<input type="checkbox"/>	△	<input type="checkbox"/>	△	<input type="checkbox"/>	△	<input type="checkbox"/>	△	<input type="checkbox"/>
[4]	Exit Delay Termination	<input type="checkbox"/>	△	<input type="checkbox"/>	△	<input type="checkbox"/>	△	<input type="checkbox"/>	△	<input type="checkbox"/>	<input type="checkbox"/>	△	<input type="checkbox"/>	△	<input type="checkbox"/>	<input type="checkbox"/>	△
[5]	Future Use	N/A	N/A	N/A	N/A	N/A	N/A	N/A	N/A	N/A	N/A	N/A	N/A	N/A	N/A	N/A	N/A
[6]	Future Use	N/A	N/A	N/A	N/A	N/A	N/A	N/A	N/A	N/A	N/A	N/A	N/A	N/A	N/A	N/A	N/A
[7]	Future Use	N/A	N/A	N/A	N/A	N/A	N/A	N/A	N/A	N/A	N/A	N/A	N/A	N/A	N/A	N/A	N/A
[8]	Follow zone switches to Entry Delay 2 when delay zone is bypassed	<input type="checkbox"/>	△	<input type="checkbox"/>	△	<input type="checkbox"/>	△	<input type="checkbox"/>	△	<input type="checkbox"/>	<input type="checkbox"/>	△	<input type="checkbox"/>	△	<input type="checkbox"/>	<input type="checkbox"/>	△

Partition Panic Alarm Options

Option (△ = Default Setting)	Partition 1 [3123]		Partition 2 [3223]		Partition 3 [3323]		Partition 4 [3423]		Partition 5 [3523]		Partition 6 [3623]		Partition 7 [3723]		Partition 8 [3823]	
	OFF	ON	OFF	ON	OFF	ON	OFF	ON	OFF	ON	OFF	ON	OFF	ON	OFF	ON
[1] <i>Panic 1 (Keys 1 & 3)</i>	△	□	△	□	△	□	△	□	△	□	△	□	△	□	△	□
[2] <i>Panic 2 (Keys 4 & 6)</i>	△	□	△	□	△	□	△	□	△	□	△	□	△	□	△	□
[3] <i>Panic 3 (Keys 7 & 9)</i>	△	□	△	□	△	□	△	□	△	□	△	□	△	□	△	□
[4] <i>Panic 1 Alarm Type (OFF = Report Only; ON = Audible Alarm)</i>	△	□	△	□	△	□	△	□	△	□	△	□	△	□	△	□
[5] <i>Panic 2 Alarm Type (OFF = Report Only; ON = Audible Alarm)</i>	△	□	△	□	△	□	△	□	△	□	△	□	△	□	△	□
[6] <i>Panic 3 Alarm Type (OFF = Report Only; ON = Fire Alarm)</i>	△	□	△	□	△	□	△	□	△	□	△	□	△	□	△	□
[7] <i>Always Report Disarming (OFF = Always; ON = Only After Alarm)</i>	△	□	△	□	△	□	△	□	△	□	△	□	△	□	△	□
[8] <i>Auto-Force on Regular Arming</i>	△	□	△	□	△	□	△	□	△	□	△	□	△	□	△	□

Partition Bell Squawk Options

Option (△ = Default Setting)	Partition 1 [3124]		Partition 2 [3224]		Partition 3 [3324]		Partition 4 [3424]		Partition 5 [3524]		Partition 6 [3624]		Partition 7 [3724]		Partition 8 [3824]	
	OFF	ON	OFF	ON	OFF	ON	OFF	ON	OFF	ON	OFF	ON	OFF	ON	OFF	ON
[1] <i>Bell Squawk upon Disarming</i>	△	□	△	□	△	□	△	□	△	□	△	□	△	□	△	□
[2] <i>Bell Squawk upon Arming</i>	△	□	△	□	△	□	△	□	△	□	△	□	△	□	△	□
[3] <i>Bell Squawk upon Auto-arming</i>	△	□	△	□	△	□	△	□	△	□	△	□	△	□	△	□
[4] <i>Bell Squawk during Exit Delay</i>	△	□	△	□	△	□	△	□	△	□	△	□	△	□	△	□
[5] <i>Bell Squawk during Entry Delay</i>	△	□	△	□	△	□	△	□	△	□	△	□	△	□	△	□
[6] <i>Bell Squawk upon Remote Arming/Disarming</i>	□	△	□	△	□	△	□	△	□	△	□	△	□	△	□	△
[7] <i>Ring Back: Bell Squawk if Disarmed after Alarm</i>	△	□	△	□	△	□	△	□	△	□	△	□	△	□	△	□
[8] <i>Ring Back: Keypad beeps if Disarmed after Alarm</i>	□	△	□	△	□	△	□	△	□	△	□	△	□	△	□	△

Partition One-Touch Options

Option (△ = Default Setting)	Partition 1 [3125]		Partition 2 [3225]		Partition 3 [3325]		Partition 4 [3425]		Partition 5 [3525]		Partition 6 [3625]		Partition 7 [3725]		Partition 8 [3825]	
	OFF	ON	OFF	ON	OFF	ON	OFF	ON	OFF	ON	OFF	ON	OFF	ON	OFF	ON
[1] <i>One-touch Regular Arming*</i>	△	□	△	□	△	□	△	□	△	□	△	□	△	□	△	□
[2] <i>One-touch Stay Arming*</i>	△	□	△	□	△	□	△	□	△	□	△	□	△	□	△	□
[3] <i>One-touch Instant Arming*</i>	△	□	△	□	△	□	△	□	△	□	△	□	△	□	△	□
[4] <i>One-touch Force Arming*</i>	△	□	△	□	△	□	△	□	△	□	△	□	△	□	△	□
[5] <i>One-touch Stay or Instant Disarming*</i>	△	□	△	□	△	□	△	□	△	□	△	□	△	□	△	□
[6] <i>One-touch Bypass Programming*</i>	△	□	△	□	△	□	△	□	△	□	△	□	△	□	△	□
[7] <i>One-touch Event Display*</i>	△	□	△	□	△	□	△	□	△	□	△	□	△	□	△	□
[8] <i>No Exit Delay when Arming with remote control</i>	□	△	□	△	□	△	□	△	□	△	□	△	□	△	□	△



* If a keypad is assigned to more than one partition, the one-touch feature must be enabled in all the keypad's assigned partitions. Example: To enable the one-touch Regular Arming feature of a keypad assigned to partitions 1, 2 and 5, enable sections [3125] option [1], [3225] option [1] and [3525] option [1].

Partition Special Options

Option (Δ = Default Setting)	Partition 1 [3126]		Partition 2 [3226]		Partition 3 [3326]		Partition 4 [3426]		Partition 5 [3526]		Partition 6 [3626]		Partition 7 [3726]		Partition 8 [3826]	
	OFF	ON	OFF	ON	OFF	ON	OFF	ON	OFF	ON	OFF	ON	OFF	ON	OFF	ON
[1] <i>Intellizone Delay</i>	Δ	<input type="checkbox"/>	Δ	<input type="checkbox"/>	Δ	<input type="checkbox"/>	Δ	<input type="checkbox"/>	Δ	<input type="checkbox"/>	Δ	<input type="checkbox"/>	Δ	<input type="checkbox"/>	Δ	<input type="checkbox"/>
[2] <i>Intellizone Double Knockout and Zone Crossing</i>	Δ	<input type="checkbox"/>	Δ	<input type="checkbox"/>	Δ	<input type="checkbox"/>	Δ	<input type="checkbox"/>	Δ	<input type="checkbox"/>	Δ	<input type="checkbox"/>	Δ	<input type="checkbox"/>	Δ	<input type="checkbox"/>
[3] <i>Intellizone Zone Crossing</i>	Δ	<input type="checkbox"/>	Δ	<input type="checkbox"/>	Δ	<input type="checkbox"/>	Δ	<input type="checkbox"/>	Δ	<input type="checkbox"/>	Δ	<input type="checkbox"/>	Δ	<input type="checkbox"/>	Δ	<input type="checkbox"/>
[4] <i>Auto Force on Stay Arming</i>	Δ	<input type="checkbox"/>	Δ	<input type="checkbox"/>	Δ	<input type="checkbox"/>	Δ	<input type="checkbox"/>	Δ	<input type="checkbox"/>	Δ	<input type="checkbox"/>	Δ	<input type="checkbox"/>	Δ	<input type="checkbox"/>
[5] <i>Police Code is Generated on Zone Crossing Only</i>	Δ	<input type="checkbox"/>	Δ	<input type="checkbox"/>	Δ	<input type="checkbox"/>	Δ	<input type="checkbox"/>	Δ	<input type="checkbox"/>	Δ	<input type="checkbox"/>	Δ	<input type="checkbox"/>	Δ	<input type="checkbox"/>
[6] <i>Future Use</i>	N/A	N/A	N/A	N/A	N/A	N/A	N/A	N/A	N/A	N/A	N/A	N/A	N/A	N/A	N/A	N/A
[7] <i>Future Use</i>	N/A	N/A	N/A	N/A	N/A	N/A	N/A	N/A	N/A	N/A	N/A	N/A	N/A	N/A	N/A	N/A
[8] <i>Future Use</i>	N/A	N/A	N/A	N/A	N/A	N/A	N/A	N/A	N/A	N/A	N/A	N/A	N/A	N/A	N/A	N/A

Partition Arming / Disarming Event Call Direction

Option (Δ = Default Setting)	Partition 1 [3127]		Partition 2 [3227]		Partition 3 [3327]		Partition 4 [3427]		Partition 5 [3527]		Partition 6 [3627]		Partition 7 [3727]		Partition 8 [3827]	
	OFF	ON	OFF	ON	OFF	ON	OFF	ON	OFF	ON	OFF	ON	OFF	ON	OFF	ON
[1] <i>Call Telephone Number 1</i>	<input type="checkbox"/>	Δ	<input type="checkbox"/>	Δ	<input type="checkbox"/>	Δ	<input type="checkbox"/>	Δ	<input type="checkbox"/>	Δ	<input type="checkbox"/>	Δ	<input type="checkbox"/>	Δ	<input type="checkbox"/>	Δ
[2] <i>Call Telephone Number 2</i>	Δ	<input type="checkbox"/>	Δ	<input type="checkbox"/>	Δ	<input type="checkbox"/>	Δ	<input type="checkbox"/>	Δ	<input type="checkbox"/>	Δ	<input type="checkbox"/>	Δ	<input type="checkbox"/>	Δ	<input type="checkbox"/>
[3] <i>Call Telephone Number 3</i>	Δ	<input type="checkbox"/>	Δ	<input type="checkbox"/>	Δ	<input type="checkbox"/>	Δ	<input type="checkbox"/>	Δ	<input type="checkbox"/>	Δ	<input type="checkbox"/>	Δ	<input type="checkbox"/>	Δ	<input type="checkbox"/>
[4] <i>Call Telephone Number 4</i>	Δ	<input type="checkbox"/>	Δ	<input type="checkbox"/>	Δ	<input type="checkbox"/>	Δ	<input type="checkbox"/>	Δ	<input type="checkbox"/>	Δ	<input type="checkbox"/>	Δ	<input type="checkbox"/>	Δ	<input type="checkbox"/>
[5] <i>Backup on Telephone Number 1</i>	Δ	<input type="checkbox"/>	Δ	<input type="checkbox"/>	Δ	<input type="checkbox"/>	Δ	<input type="checkbox"/>	Δ	<input type="checkbox"/>	Δ	<input type="checkbox"/>	Δ	<input type="checkbox"/>	Δ	<input type="checkbox"/>
[6] <i>Backup on Telephone Number 2</i>	Δ	<input type="checkbox"/>	Δ	<input type="checkbox"/>	Δ	<input type="checkbox"/>	Δ	<input type="checkbox"/>	Δ	<input type="checkbox"/>	Δ	<input type="checkbox"/>	Δ	<input type="checkbox"/>	Δ	<input type="checkbox"/>
[7] <i>Backup on Telephone Number 3</i>	Δ	<input type="checkbox"/>	Δ	<input type="checkbox"/>	Δ	<input type="checkbox"/>	Δ	<input type="checkbox"/>	Δ	<input type="checkbox"/>	Δ	<input type="checkbox"/>	Δ	<input type="checkbox"/>	Δ	<input type="checkbox"/>
[8] <i>Backup on Telephone Number 4</i>	Δ	<input type="checkbox"/>	Δ	<input type="checkbox"/>	Δ	<input type="checkbox"/>	Δ	<input type="checkbox"/>	Δ	<input type="checkbox"/>	Δ	<input type="checkbox"/>	Δ	<input type="checkbox"/>	Δ	<input type="checkbox"/>

→ ENABLE ONLY ONE

Partition Alarm / Alarm Restore Event Call Direction

Option (Δ = Default Setting)	Partition 1 [3128]		Partition 2 [3228]		Partition 3 [3328]		Partition 4 [3428]		Partition 5 [3528]		Partition 6 [3628]		Partition 7 [3728]		Partition 8 [3828]	
	OFF	ON	OFF	ON	OFF	ON	OFF	ON	OFF	ON	OFF	ON	OFF	ON	OFF	ON
[1] <i>Call Telephone Number 1</i>	<input type="checkbox"/>	Δ	<input type="checkbox"/>	Δ	<input type="checkbox"/>	Δ	<input type="checkbox"/>	Δ	<input type="checkbox"/>	Δ	<input type="checkbox"/>	Δ	<input type="checkbox"/>	Δ	<input type="checkbox"/>	Δ
[2] <i>Call Telephone Number 2</i>	Δ	<input type="checkbox"/>	Δ	<input type="checkbox"/>	Δ	<input type="checkbox"/>	Δ	<input type="checkbox"/>	Δ	<input type="checkbox"/>	Δ	<input type="checkbox"/>	Δ	<input type="checkbox"/>	Δ	<input type="checkbox"/>
[3] <i>Call Telephone Number 3</i>	Δ	<input type="checkbox"/>	Δ	<input type="checkbox"/>	Δ	<input type="checkbox"/>	Δ	<input type="checkbox"/>	Δ	<input type="checkbox"/>	Δ	<input type="checkbox"/>	Δ	<input type="checkbox"/>	Δ	<input type="checkbox"/>
[4] <i>Call Telephone Number 4</i>	Δ	<input type="checkbox"/>	Δ	<input type="checkbox"/>	Δ	<input type="checkbox"/>	Δ	<input type="checkbox"/>	Δ	<input type="checkbox"/>	Δ	<input type="checkbox"/>	Δ	<input type="checkbox"/>	Δ	<input type="checkbox"/>
[5] <i>Backup on Telephone Number 1</i>	Δ	<input type="checkbox"/>	Δ	<input type="checkbox"/>	Δ	<input type="checkbox"/>	Δ	<input type="checkbox"/>	Δ	<input type="checkbox"/>	Δ	<input type="checkbox"/>	Δ	<input type="checkbox"/>	Δ	<input type="checkbox"/>
[6] <i>Backup on Telephone Number 2</i>	Δ	<input type="checkbox"/>	Δ	<input type="checkbox"/>	Δ	<input type="checkbox"/>	Δ	<input type="checkbox"/>	Δ	<input type="checkbox"/>	Δ	<input type="checkbox"/>	Δ	<input type="checkbox"/>	Δ	<input type="checkbox"/>
[7] <i>Backup on Telephone Number 3</i>	Δ	<input type="checkbox"/>	Δ	<input type="checkbox"/>	Δ	<input type="checkbox"/>	Δ	<input type="checkbox"/>	Δ	<input type="checkbox"/>	Δ	<input type="checkbox"/>	Δ	<input type="checkbox"/>	Δ	<input type="checkbox"/>
[8] <i>Backup on Telephone Number 4</i>	Δ	<input type="checkbox"/>	Δ	<input type="checkbox"/>	Δ	<input type="checkbox"/>	Δ	<input type="checkbox"/>	Δ	<input type="checkbox"/>	Δ	<input type="checkbox"/>	Δ	<input type="checkbox"/>	Δ	<input type="checkbox"/>

→ ENABLE ONLY ONE

Partition Tamper / Tamper Restore Event Call Direction

Option	(△ = Default Setting)	Partition 1 [3129]		Partition 2 [3229]		Partition 3 [3329]		Partition 4 [3429]		Partition 5 [3529]		Partition 6 [3629]		Partition 7 [3729]		Partition 8 [3829]	
		OFF	ON	OFF	ON	OFF	ON	OFF	ON	OFF	ON	OFF	ON	OFF	ON	OFF	ON
[1]	Call Telephone Number 1	<input type="checkbox"/>	△	<input type="checkbox"/>	△	<input type="checkbox"/>	△	<input type="checkbox"/>	△	<input type="checkbox"/>	△	<input type="checkbox"/>	△	<input type="checkbox"/>	△	<input type="checkbox"/>	△
[2]	Call Telephone Number 2	△	<input type="checkbox"/>	△	<input type="checkbox"/>	△	<input type="checkbox"/>	△	<input type="checkbox"/>	△	<input type="checkbox"/>	△	<input type="checkbox"/>	△	<input type="checkbox"/>	△	<input type="checkbox"/>
[3]	Call Telephone Number 3	△	<input type="checkbox"/>	△	<input type="checkbox"/>	△	<input type="checkbox"/>	△	<input type="checkbox"/>	△	<input type="checkbox"/>	△	<input type="checkbox"/>	△	<input type="checkbox"/>	△	<input type="checkbox"/>
[4]	Call Telephone Number 4	△	<input type="checkbox"/>	△	<input type="checkbox"/>	△	<input type="checkbox"/>	△	<input type="checkbox"/>	△	<input type="checkbox"/>	△	<input type="checkbox"/>	△	<input type="checkbox"/>	△	<input type="checkbox"/>
[5]	Backup on Telephone Number 1	△	<input type="checkbox"/>	△	<input type="checkbox"/>	△	<input type="checkbox"/>	△	<input type="checkbox"/>	△	<input type="checkbox"/>	△	<input type="checkbox"/>	△	<input type="checkbox"/>	△	<input type="checkbox"/>
[6]	Backup on Telephone Number 2	△	<input type="checkbox"/>	△	<input type="checkbox"/>	△	<input type="checkbox"/>	△	<input type="checkbox"/>	△	<input type="checkbox"/>	△	<input type="checkbox"/>	△	<input type="checkbox"/>	△	<input type="checkbox"/>
[7]	Backup on Telephone Number 3	△	<input type="checkbox"/>	△	<input type="checkbox"/>	△	<input type="checkbox"/>	△	<input type="checkbox"/>	△	<input type="checkbox"/>	△	<input type="checkbox"/>	△	<input type="checkbox"/>	△	<input type="checkbox"/>
[8]	Backup on Telephone Number 4	△	<input type="checkbox"/>	△	<input type="checkbox"/>	△	<input type="checkbox"/>	△	<input type="checkbox"/>	△	<input type="checkbox"/>	△	<input type="checkbox"/>	△	<input type="checkbox"/>	△	<input type="checkbox"/>

→ ENABLE ONLY ONE

Special Arming Exit Delay

Description Decimal Values from 000 to 255 Exit delay for special arming. (Auto arm, WinLoad/NEWare arming etc.) (Data x second; Default = 060)	Partition 1		Partition 2		Partition 3		Partition 4		Partition 5		Partition 6		Partition 7		Partition 8	
	Section	Data	Section	Data	Section	Data	Section	Data	Section	Data	Section	Data	Section	Data	Section	Data
	[3130]	___/___	[3230]	___/___	[3330]	___/___	[3430]	___/___	[3530]	___/___	[3630]	___/___	[3730]	___/___	[3830]	___/___

No Movement Schedule

Section	Intervals	Start Time (from)	End Time (to)	Days (turn ON or OFF)							
				S	M	T	W	T	F	S	H
[3131] Partition 1	Schedule A	___:___	___:___	1	2	3	4	5	6	7	8
	Schedule B	___:___	___:___	1	2	3	4	5	6	7	8
[3231] Partition 2	Schedule A	___:___	___:___	1	2	3	4	5	6	7	8
	Schedule B	___:___	___:___	1	2	3	4	5	6	7	8
[3331] Partition 3	Schedule A	___:___	___:___	1	2	3	4	5	6	7	8
	Schedule B	___:___	___:___	1	2	3	4	5	6	7	8
[3431] Partition 4	Schedule A	___:___	___:___	1	2	3	4	5	6	7	8
	Schedule B	___:___	___:___	1	2	3	4	5	6	7	8
[3531] Partition 5	Schedule A	___:___	___:___	1	2	3	4	5	6	7	8
	Schedule B	___:___	___:___	1	2	3	4	5	6	7	8
[3631] Partition 6	Schedule A	___:___	___:___	1	2	3	4	5	6	7	8
	Schedule B	___:___	___:___	1	2	3	4	5	6	7	8
[3731] Partition 7	Schedule A	___:___	___:___	1	2	3	4	5	6	7	8
	Schedule B	___:___	___:___	1	2	3	4	5	6	7	8
[3831] Partition 8	Schedule A	___:___	___:___	1	2	3	4	5	6	7	8
	Schedule B	___:___	___:___	1	2	3	4	5	6	7	8



The Start and End Time of a schedule cannot cross over into another day. For example, to program a shift from 10PM one day to 6AM the next morning, you must program Schedule A: Start Time 22:00 and End Time 23:59 then program Schedule B Start Time 00:00 and End Time 06:00. The schedule will not be interrupted between 23:59 and 00:00.

Special and Trouble Report Codes

Ademco slow, Silent Knight fast, SESCOA, Ademco express or Pager formats: Key-in desired 2-digit hex values from 00 to FF.

Ademco format:

Use sections [4034] (Special System Report Codes), [4035] (Special Arming/Disarming Report Codes), [4036] (Special Alarm Report Codes) and [4037] (Trouble/Trouble Restore Report Codes) to program a set of default Ademco report codes from the *Automatic Report Code Programming* on page 50. Then to program the remaining report codes or to change some of the defaults, enter the individual sections and key-in the desired 2-digit hex value found in the *Contact ID Report Code List* on page 53.

SIA format:

Use sections [4034] (Special System Report Codes), [4035] (Special Arming/Disarming Report Codes), [4036] (Special Alarm Report Codes) and [4037] (Trouble/Trouble Restore Report Codes) to program a set of SIA report codes from the *Automatic Report Code Programming* on page 50. Codes that have not been set to default can be set to default manually by entering FF in the appropriate section. To disable the reporting of an event, enter 00 in the appropriate section.

Special System Report Codes

Section	Report Code
[3900]	___ Power up after total power down
[3901]	___ Software reset (Watchdog)
[3902]	___ Test Report
[3903]	___ Listen-In to Follow (Request to start session)
[3904]	___ WinLoad Login Request (Callback only)
[3905]	___ WinLoad Log Off
[3906]	___ Installer In
[3907]	___ Installer Out
[3908]	Future Use
[3909]	Future Use

Special Alarm Report Codes

Section	Report Code
[3930]	___ Emergency Panic
[3931]	___ Auxiliary Panic
[3932]	___ Fire Panic
[3933]	___ Recent Closing
[3934]	___ Police Code
[3935]	___ Zone Shutdown
[3936]	___ Duress
[3937]	___ Keypad Lockout
[3938]	Future Use
[3939]	Future Use

Special Arming Report Codes

Section	Report Code
[3910]	___ Auto-arming
[3911]	___ PC Arming
[3912]	___ Late to Close (Auto-arming)
[3913]	___ No Movement
[3914]	___ Partial Arming
[3915]	___ Quick Arming
[3916]	___ Early to Close (refer to "Arming Report Schedules" on page 42)
[3917]	___ Late to Close (refer to "Arming Report Schedules" on page 42)
[3918]	___ Remote Arming (APR3-ADM2, DGP-LSN4)
[3919]	___ Closing Delinquency

Trouble Report Codes

Section	Report Code
[3940]	Future Use
[3941]	___ AC Failure
[3942]	___ Battery Failure
[3943]	___ Auxiliary Supply
[3944]	___ Bell Output (Disconnected or overload)
[3945]	___ Clock Loss
[3946]	___ Fire Loop Trouble
[3947]	Future Use
[3948]	Future Use
[3949]	Future Use
[3950]	___ Combustion Fault
[3951]	___ Module Tamper
[3952]	___ ROM Check Error
[3953]	___ Module TLM
[3954]	___ Module Failure to Communicate
[3955]	___ Printer Fault
[3956]	___ Module AC Failure
[3957]	___ Module Battery Failure
[3958]	___ Module Auxiliary Failure
[3959]	Future Use
[3960]	___ Wireless Transmitter Battery Low
[3961]	___ Wireless Transmitter Supervision Trouble
[3962]	Future Use
[3963]	Future Use
[3964]	Future Use
[3965]	___ Phone Number 1 Fail to Communicate

Special Disarming Report Codes

Section	Report Code
[3920]	___ Cancel Auto-arm
[3921]	___ Quick Disarm
[3922]	___ PC Disarming
[3923]	___ PC Disarming after alarm
[3924]	___ Cancel Alarm
[3925]	Future Use
[3926]	___ Early to Open (refer to "Disarming Report Schedules" on page 38)
[3927]	___ Late to Open (refer to "Disarming Report Schedules" on page 38)
[3928]	___ Remote Disarming (APR3-ADM2, DGP-LSN4)
[3929]	Future Use

- [3966] ___ Phone Number 2 Fail to Communicate
- [3967] ___ Phone Number 3 Fail to Communicate
- [3968] ___ Phone Number 4 Fail to Communicate
- [3969] Future Use

- [3978] Future Use
- [3979] Future Use
- [3980] ___ Combustion Fault Restore
- [3981] ___ Module Tamper Restore
- [3982] ___ ROM Check Error Restore
- [3983] ___ Module TLM Restore
- [3984] ___ Module Failure to Communicate Restore
- [3985] ___ Printer Fault Restore
- [3986] ___ Module AC Failure Restore
- [3987] ___ Module Battery Failure Restore
- [3988] ___ Module Auxiliary Failure Restore
- [3989] Future Use
- [3990] ___ Wireless Transmitter Battery Low Restore
- [3991] ___ Wireless Transmitter Supervision Trouble Restore

Trouble Restore Report Codes

Section Report Code

- [3970] ___ TLM1 Restore
- [3971] ___ AC Failure Restore
- [3972] ___ Battery Failure Restore
- [3973] ___ Auxiliary Supply Restore
- [3974] ___ Bell Output (Reconnected or Restored)
- [3975] ___ Clock Loss Restore
- [3976] ___ Fire Loop Trouble Restore
- [3977] Future Use

Other Settings and Modes

Section Description

[4000] Display Serial Number of Control Panel and All Modules Connected to the combus:

After entering section [4000], the keypad will display the 8-digit serial number of the control panel and firmware version.

For LCD Keypads: Use the [▲] and [▼] keys to scroll through the serial number of each module connected to the combus. The firmware version of some modules will be displayed as well.

For Grafica Keypads: Press the center action key (**Next**) to scroll through the serial number of each module on the combus.

[4001] Module Reset:

Reset a module's programmed contents to default by entering its serial number.

[4002] Locate/Unlocate Module:

Locate a specific module (e.g. detector, zone expander, etc.) connected to the combus by entering the module's serial number. The green "LOCATE" LED on the module will begin to flash until the serial number is re-entered or the appropriate "tamper" or "unlocate" switch on the module is pressed.

[4003] Module Programming Mode:

Enter the serial number of the module you wish to program.

[4004] Module Broadcast:

Copy the contents of all programming sections from one module to one or more modules of the same type. Enter the serial number of the source module, followed by the serial numbers of the modules you wish to program. To begin transferring data, press [ACC] on LCD keypads or the center action key (**Start**) on Grafica keypads.

Label Broadcast:

Copy user, door and partition labels from the control panel to all keypads and printer modules connected to the combus. To transmit the labels, in section [4004], enter the control panel's serial number. From the Destination screen, do not enter a serial number, but press [ACC] on LCD keypads or the center action key (**Start**) on Grafica keypads.

PLEASE NOTE: The Module and Label Broadcast feature will only work when a module is broadcasting its data to a module or to modules of the same type and model number. For example, an APR-PRT1 (Printer Module) cannot broadcast to an APR3-PRT1. Likewise, a DGP module cannot broadcast to a DGP2 module.

[4005] Quick Module Scanning:

After entering the section, the control panel will scan all addresses assigned to modules. If any missing modules are detected (i.e. detector removed from the combus), the control panel will erase the module's serial number, removing the module from the control panel's memory.

[4006] Modules Scanning:

After entering the section, the control panel will scan all addresses on the combus. If any missing modules are detected (i.e. detector removed from the combus), the control panel will erase the module's serial number, removing the module from the control panel's memory. If new modules are detected, the serial number will be entered in the control panel's memory.

Paradox Memory Key (PMC-5)

- [4010] Download from the Memory Key to the control panel **except** zone numbering and sections [0501] to [0532]. (See warning on page 50)
- [4011] Download from the Memory Key to control panel **including** zone numbering and sections [0501] to [0532]. (See warning on page 50)
- [4012] Download user labels from the Memory Key to control panel. (See warning on page 50)
- [4013] Download installer default. (Use for reset from Memory key to control panel.)
- [4020] Copy the control panel sections to the Memory Key **except** zone numbering and sections [0501] to [0532]. (See warning on page 50)
- [4021] Copy the control panel sections to the Memory Key **including** zone numbering and sections [0501] to [0532]. (See warning on page 50)

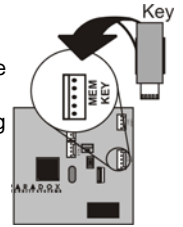
[4022] Copy the control panel user label to the Memory Key. (See warning on page 50)

[4023] Copy the control panel installer default to the Memory key.



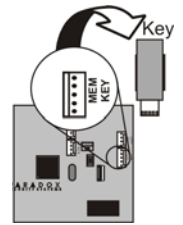
Download Memory Key to Control Panel.

- 1) Insert the Memory Key (PMC-5) onto the control panel's connector labelled "MEM KEY".
- 2) To download the contents of the *Memory Key* **except** zone numbering and sections [0501] to [0532], enter installer programming mode and then enter section [4010]. (Depending on the memory key, the labels may or may not be included.)
To download the contents of the Memory Key **including** zone numbering and sections [0501] to [0532], enter installer programming mode and then enter section [4011]. (Depending on the memory key, the labels may or may not be included.)
- 3) When the keypad emits a confirmation beep, remove the Memory Key.



Copy Control Panel to Memory Key

- 1) Insert Memory Key (PMC-5) onto the control panel's connector labelled "MEM KEY". Ensure the write protect jumper on the memory key is on.
- 2) To copy the contents to the Memory Key **except** zone numbering and sections [0501] to [0532], enter installer programming mode, then enter section [4020]. (Depending on the memory key, the labels may or may not be included.)
To copy the contents to the Memory Key **including** zone numbering and sections [0501] to [0532], enter section [4021]. (Depending on the memory key, the labels may or may not be included.)
- 3) After the confirmation beep, remove the Memory Key. Remove the Memory Key's jumper if you do not wish to accidentally overwrite its contents.



! When using the PMC-3 Memory Key, sections [4010], [4011], [4020] and [4021] will NOT include the labels. Use sections [4012] and [4022] to transfer labels only using a PMC-4 or PMC-5.

Automatic Report Code Programming

When using Contact ID or SIA Reporting formats (section [3070] on page 36), default report codes can be programmed automatically. After automatic defaults are set, they can be changed and the remaining report codes can be set manually.

Section	Description
[4030]	ALL REPORT CODES RESET TO 00 Resets all the report codes from sections [0201] to [0296], [0701] to [0832], [2001] to [2199] and [3900] to [3999] to 00. Sections [4031] to [4037] reset all the report codes in the following sections to the default values from the "Automatic Report Codes List" on page 47.
[4031]	ALL REPORT CODES RESET TO FF [0201] to [0296], [0701] to [0832], [2001] to [2199] & [3900] to [3999]
[4032]	ZONE ALARM/ALARM RESTORE AND ZONE TAMPER/TAMPER RESTORE REPORT CODES [0201] to [0296]
[4033]	USER/KEYSWITCH ARMING & DISARMING REPORT CODES [0701] to [0832], and [2001] to [2199]
[4034]	SPECIAL CODES [3900] to [3909]
[4035]	SPECIAL ARMING/DISARMING REPORT CODES [3910] to [3929]
[4036]	SPECIAL ALARM REPORT CODES [3930] to [3939]
[4037]	TROUBLE & TROUBLE RESTORE REPORT CODES [3940] to [3999]

Software Reset

Performing a software reset will set certain parameters to default values. To do so:

- 1) Enter Programming Mode (see *Entering Programming Mode* on page 3).
- 2) Enter Section [4049] to unlock software reset.
- 3) Enter the 4-digit [SECTION] corresponding to the software reset you wish to perform.
- 4) If you want to reset more than one section, enter section [4049] to unlock the software reset again.

Section	Description
[4040]	Entering this section will reset all programmable sections from [0001] to [3999] to factory default values.
[4041]	Entering this section will reset the system master code to 123456.
[4042]	Entering this section will reset all Zone programming (including sections [0961] to [0984]) programming to default values.
[4043]	Entering this section will reset all access control sections from [2201] to [2712], excluding door labels, to default values.
[4044]	Entering this section will reset all user code sections from [1001] to [1999] and [2001] to [2199] to default values.
[4045]	Entering this section will reset all dialer (sections [3051] to [3081]), VDMP3 (sections [3087] to [3098]) and control panel (sections [3020] to [3043], and [3900] to [3991]) programming to default values.
[4046]	Entering this section will reset all partition sections from [3101] to [3833], excluding partition labels, to default values.
[4047]	Entering this section will reset all PGM (sections from [0901] to [0959]) and all Keyswitch (sections [0501] to [0632]) programming, as well as all Keyswitch arming/disarming report codes (sections from [0701] to [0832]) to default values.
[4048]	Entering this section will clear all user labels, door labels, partition labels, module labels and zone labels from sections [0301] to [0396].
[4049]	Entering this section will unlock software reset for sections [4040] to [4048].

Installer Function Keys

To access the installer functions, press and hold the [0] key, enter the [INSTALLER CODE], and then:

For LCD keypads: press the key indicated in the list below that corresponds to the function you wish to activate.

For Grafica keypads: press the center action key (**Options**), highlight the desired function and then press the center action key (**Ok**).

[STAY]	<i>Test Report:</i> Sends the "Test Report" report code programmed in section [3902] to the monitoring station.
[FORCE]	<i>Call WinLoad Software:</i> Will dial the PC telephone number programmed in section [3010] in order to initiate communication with a computer using the WinLoad software.
[ARM]	<i>Answer WinLoad Software:</i> Will force the control panel to answer a call made by the Monitoring Station that is using the WinLoad software.
[DISARM]	<i>Cancel Communication:</i> Cancels all communication with the WinLoad software or with the Monitoring Station until the next reportable event.
[MEM]	<i>Installer Test Mode:</i> The installer test mode will allow you to perform walk tests where the bell or siren will squawk to indicate opened zones. Press the [MEM] button again to exit. Partitions cannot be armed if the Installer Test Mode is enabled.
[TRBL]	<i>Start Module Scan:</i> The keypad will display the serial number of each module on the combus.
[ACC]	<i>Combus Voltmeter:</i> To verify if the combus is supplying sufficient power, press and hold the [0] key, enter the [INSTALLER CODE] and press the [ACC] button. A reading of 12.3V or lower at the panel's service keypad connector indicates that the voltage is too low. The voltage may drop during the control panel battery test.

Automatic Report Code List

System Event	Default Contact ID Report Code when using sections [4032] to [4037]	Default SIA Report Code when using sections [4032] to [4037]
Arming with Master Code (##)	3 4A1 - Close by user	CL - Closing Report
Arming with User Code (##)	3 4A1 - Close by user	CL - Closing Report
Arming with Keyswitch (##)	3 4A9 - Keyswitch Close	CS - Closing Keyswitch
Auto Arming	3 4A3 - Automatic Close	CA - Automatic Closing
Arm with PC software	3 4A7 - Remote arm/disarm	CQ - Remote Arming
Late To Close	3 452 - Late to Close	OT - Late to Close
No Movement	3 452 - Late to Close	NA - No Movement Arming
Partial arming	1 456 - Partial Arm	CG - Close Area
Quick arming	3 4A8 - Quick arm	CL - Closing Report
Remote Arm (voice)	3 4A7 - Remote Arm	CQ - Arm with Voice Module
Delinquency Closing	1 654 - System Inactivity	CD - System Inactivity
Disarm with Master Code (##)	1 4A1 - Open by user	OP - Opening Report
Disarm with User Code (##)	1 4A1 - Open by user	OP - Opening Report
Disarm with Keyswitch (##)	1 4A9 - Keyswitch Open	OS - Opening Keyswitch
Disarm after alarm with Master Code (###)	1 4A1 - Open by user	OP - Opening Report
Disarm after alarm with User Code (##)	1 4A1 - Open by user	OP - Opening Report
Disarm after alarm with Keyswitch (##)	1 4A9 - Keyswitch Open	OS - Opening Keyswitch
Cancel alarm with Master Code (##)	1 4A6 - Cancel	OR - Disarm From Alarm
Cancel alarm with User Code (##)	1 4A6 - Cancel	OR - Disarm From Alarm
Cancel alarm with Keyswitch (##)	1 4A6 - Cancel	OS - Opening Keyswitch
Auto Arming Cancellation	1 464 - Auto-Arm Time Extended	CE - Closing Extend

System Event	Default Contact ID Report Code when using sections [4032] to [4037]	Default SIA Report Code when using sections [4032] to [4037]
Cancel Alarm with PC Software	1 4A6 - Cancel	OR - Disarm From Alarm
Voice Disarm	1 4A7 - Remote arm/disarm	OQ - Remote Disarming
Disarm with PC software	1 4A7 - Remote arm/disarm	OQ - Remote Disarming
Disarm after an alarm with PC software	1 4A7 - Remote arm/disarm	OQ - Remote Disarming
Quick Disarm	1 4A8 - Quick Disarm	OP - Opening Report
Zone Bypassed (##)	1 57A - Zone bypass	UB - Untyped Zone Bypass
Zone alarm (##)	1 13A - Burglary Alarm	BA - Burglary Alarm
Fire alarm (##)	1 11A - Fire alarm	FA - Fire Alarm
Early to Disarm by User	1 451 - Early to Open	OK - Early to Open
Late to Disarm by User	1 452 - Late to Open	OJ - Late to Open
Zone alarm restore (##)	3 13A - Burglary Alarm Restore	BH - Burglary Alarm Restore
Fire alarm restore (##)	3 11A - Fire alarm Restore	FH - Fire Alarm Restore
24Hr Gas alarm (##)	1 13A - Burglary Alarm	GA - Gas Alarm
24Hr Heat alarm (##)	1 13A - Burglary Alarm	KA - Heat Alarm
24Hr Water alarm (##)	1 13A - Burglary Alarm	WA - Water Alarm
24Hr Freeze alarm (##)	1 13A - Burglary Alarm	ZA - Freeze Alarm
24Hr Gas alarm restore (##)	3 13A - Burglary Alarm Restore	GR - Gas Alarm Restore
24Hr Heat alarm restore (##)	3 13A - Burglary Alarm Restore	KR - Heat Alarm Restore
24Hr Water alarm restore (##)	3 13A - Burglary Alarm Restore	WR - Water Alarm Restore
24Hr Freeze alarm restore (##)	3 13A - Burglary Alarm Restore	ZR - Freeze Alarm Restore
Panic 1 - Emergency	1 12A - Panic alarm	PA - Panic Alarm
Panic 2 - Medical	1 1AA - Medical alarm	MA - Medical Alarm
Panic 3 - Fire	1 115 - Pull Station	FA - Fire Alarm
Recent closing	3 459 - Recent Close	CR - Recent Closing
Police Code	1 139 - Burglary Alarm	BM - Burglary Alarm
Global zone shutdown	1 574 - Group bypass	CG - Close Area
Duress alarm	1 121 - Duress	HA - Hold-up Alarm
Zone shutdown (##)	1 57A - Zone bypass	UB - Untyped Zone Bypass
Zone tampered (##)	1 144 - Sensor tamper	TA - Tamper Alarm
Zone tamper restore (##)	3 144 - Sensor tamper restore	TR - Tamper Restoral
Keypad Lockout	1 421 - Access denied	JA - User Code Tamper
AC Failure	1 3A1 - AC loss	AT - AC Trouble
Battery Failure	1 3A9 - Battery test failure	YT - System Battery Trouble
Auxiliary supply trouble	1 3AA - System trouble	YP - Power Supply Trouble
Bell output current limit	1 321 - Bell 1	YA - Bell Fault
Bell absent	1 321 - Bell 1	YA - Bell Fault
Clock lost	1 626 - Time/Date inaccurate	JT - Time Changed
Fire loop trouble	1 373 - Fire trouble	FT - Fire Trouble
TLM trouble restore	3 351 - Telco 1 fault restore	LR - Phone Line restoral
AC Failure restore	3 3A1 - AC loss restore	AR - AC Restoral
Battery Failure restore	3 3A9 - Battery test restore	YR - System Battery Restoral
Auxiliary supply trouble restore	3 3AA - System trouble restore	YQ - Power Supply restored
Bell output current limit restore	3 321 - Bell 1 restore	YH - Bell Restored
Bell absent restore	3 321 - Bell 1 restore	YH - Bell Restored
Clock programmed	3 625 - Time/Date Reset	JT - Time Changed
Fire loop trouble restore	3 373 - Fire trouble restore	FJ - Fire Trouble Restore
Combus fault	1 333 - Expansion module failure	ET - Expansion Trouble
Module tamper	1 145 - Expansion module tamper	TA - Tamper Alarm
Module ROM_RAM_error	1 3A4 - Rom checksum bad	YF - Parameter Checksum Fail
Module TLM trouble	1 352 - Telco 2 fault	LT - Phone Line trouble
Module fail to communicate to monitoring station	1 354 - Fail to communicate	YC - Communication Fails
Printer fault	1 336 - Local printer failure	VT - Printer Trouble
Module AC Failure	1 3A1 - AC loss	AT - AC Trouble
Module battery failure	1 3A9 - Battery test failure	YT - System Battery Trouble
Module Auxiliary supply trouble	1 3AA - System trouble	YP - Power Supply Trouble
Combus fault restore	3 333 - Expansion module failure restore	ER - Expansion Restoral
Module tamper restore	3 145 - Expansion module tamper restore	TR - Tamper Restoral
Module ROM_RAM_error restore	3 3A4 - Rom checksum bad restore	YG - Parameter Changed

System Event	Default Contact ID Report Code when using sections [4032] to [4037]	Default SIA Report Code when using sections [4032] to [4037]
Module TLM restore	3 352 - Telco 2 fault restore	LR - Phone Line Restoral
Early to Arm by User	3 451 - Early to Close	CK - Early to Close
Late to Arm by User	3 452 - Late to Close	CJ - Late to Close
Zone Excluded on Force Arming	1 57A - Zone Bypass	XW - Zone Forced
Zone Went Back to Arm Status	3 57A - Zone Bypass Restore	VV - Zone Included
Printer fault restore	3 336 - Local printer failure restore	VR - Printer Restore
Module AC restore	3 3A1 - AC loss restore	AR - AC Restoral
Module battery restore	3 3A9 - Battery test failure restore	YR - System Battery Restoral
Module Auxiliary supply restore	3 3AA - System trouble restore	YQ - Power Supply Restored
Fail to communicate with monitoring station	1 354 - Fail to communicate	YC - Communication Fails
Module RF low battery	1 384 - RF transmitter low battery	XT - Transmitter Battery Trouble
Module RF supervision trouble	1 381 - Loss of supervision - RF	US - Untype Zone Supervision
Module RF battery restore	3 384 - RF transmitter battery restore	XR - Transmitter Battery Restoral
Module RF supervision restore	3 381 - Supervision restore - RF	UR - Untyped Zone Restoral
Cold Start	1 3A8 - System shutdown	RR - Power Up
Warm Start	1 3A5 - System reset	YW - Watchdog Reset
Test Report engaged	1 6A2 - Periodic test report	TX - Test Report
Listen-In request	1 606 - Listen-In to follow	LF - Listen-In to follow
WinLoad Login request	1 411 - Call Back Request	RB - Remote Program Begin
PC software communication finished	1 412 - Successful - download access	RS - Remote Program Success
Installer on site	1 627 - Program mode Entry	LB - Local Program
Installer programming finished	1 628 - Program mode Exit	LS - Local Program Success
Module Fail to Communicate Restore	3 354 - Fail to Communicate Restore	YK - Communication Restore

Contact ID Report Code List

If using the Ademco Contact ID format, key in the 2-digit hexadecimal value (PROG. VALUE) to program the desired report codes into sections [0201] to [0296], [0701] to [0832], [2001] to [2199], and [3900] to [3999].

CID#	Reporting Code	Prog. Value	CID#	Reporting Code	Prog. Value	CID#	Reporting Code	Prog. Value
MEDICAL ALARMS - 100			BURGLAR ALARMS - 130			150	24-Hour Non-Burglary	25
100	Medical Alarm	01	130	Burglary	13	151	Gas Detected	26
101	Personal Emergency	02	131	Perimeter	14	152	Refrigeration	27
102	Fail to Report In	03	132	Interior	15	153	Loss of Heat	28
FIRE ALARMS - 110			133	24-Hour	16	154	Water Leakage	29
110	Fire Alarm	04	134	Entry/Exit	17	155	Foil Break	2A
111	Smoke	05	135	Day/Night	18	156	Day Trouble	2B
112	Combustion	06	136	Outdoor	19	157	Low Bottled Gas Level	2C
113	Water Flow	07	137	Tamper	1A	158	High Temperature	2D
114	Heat	08	138	Near Alarm	1B	159	Low Temperature	2E
115	Pull Station	09	139	Intrusion Verifier	1C	161	Loss of Air Flow	2F
116	Duct	0A	GENERAL ALARMS - 140			162	Carbon Monoxide Detected	30
117	Flame	0B	140	General Alarm	1D	163	Tank Level	31
118	Near Alarm	0C	141	Polling Loop Open	1E	FIRE SUPERVISORY - 200 & 210		
PANIC ALARMS - 120			142	Polling Loop Short	1F	200	Fire Supervisory	32
120	Panic Alarm	0D	143	Expansion Module Failure	20	201	Low Water Pressure	33
121	Duress	0E	144	Sensor Tamper	21	202	Low CO2	34
122	Silent	0F	145	Expansion Module Tamper	22	203	Gate Valve Sensor	35
123	Audible	10	146	Silent Burglary	23	204	Low Water Level	36
124	Duress-Access Granted	11	147	Sensor Supervision Failure	24	205	Pump Activated	37
125	Duress-Egress Granted	12	24-HOUR NON-BURGLARY - 150 & 160			206	Pump Failure	38

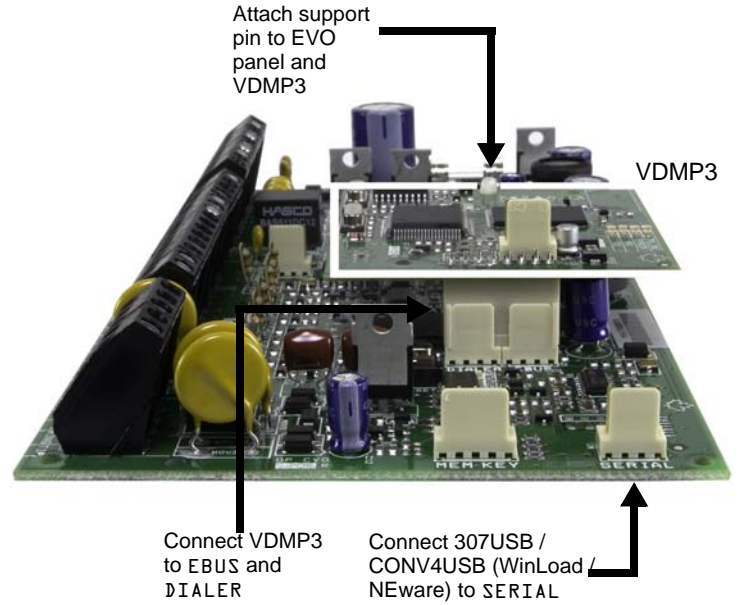
CID#	Reporting Code	Prog. Value	CID#	Reporting Code	Prog. Value	CID#	Reporting Code	Prog. Value
SYSTEM TROUBLES - 300 & 310			378	Cross-Zone Trouble	6D	458	User on Premises	A1
300	System Trouble	39	SENSOR TROUBLES - 380			459	Recent Close	A2
301	AC Loss	3A	380	Sensor Trouble	6E	461	Wrong Code Entry	A3
302	Low System Battery	3B	381	Loss of Supervision - RF	6F	462	Legal Code Entry	A4
303	RAM Checksum Bad	3C	382	Loss of Supervision - RPM	70	463	Re-arm after Alarm	A5
304	ROM Checksum Bad	3D	383	Sensor Tamper	71	464	Auto-Arm Time Extended	A6
305	System Reset	3E	384	RF Transmitter Low Battery	72	465	Panic Alarm Reset	A7
306	Panel Program Changed	3F	385	Smoke Detector Hi Sensitivity	73	466	Service On/Off Premises	A8
307	Self-Test Failure	40	386	Smoke Detector Low Sensitivity	74	SOUNDER RELAY DISABLES - 520		
308	System Shutdown	41	387	Intrusion Detector Hi Sensitivity	75	520	Sounder/Relay Disabled	A9
309	Battery Test Failure	42	388	Intrusion Detector Low Sensitivity	76	521	Bell 1 Disable	AA
310	Ground Fault	43	389	Sensor Self-Test Failure	77	522	Bell 2 Disable	AB
311	Battery Missing/Dead	44	391	Sensor Watch Trouble	78	523	Alarm Relay Disable	AC
312	Power Supply Over Current	45	392	Drift Compensation Error	79	524	Trouble Relay Disable	AD
313	Engineer Reset	46	393	Maintenance Alert	7A	525	Reversing Relay Disable	AE
SOUNDER/RELAY TROUBLES - 320			OPEN/CLOSE - 400			526	Notification Appliance chk. #3 Disabled	AF
320	Sounder Relay	47	400	Open/Close	7B	527	Notification Appliance chk. #4 Disabled	B0
321	Bell 1	48	401	Open/Close by User	7C	531	Module Added	B1
322	Bell 2	49	402	Group Open/Close	7D	532	Module Removed	B2
323	Alarm Relay	4A	403	Automatic Open/Close	7E	COMMUNICATION DISABLED - 550 & 560		
324	Trouble Relay	4B	406	Cancel	7F	551	Dialer Disabled	B3
325	Reversing Relay	4C	407	Remote Arm/Disarm	80	552	Radio Transmitter Disabled	B4
326	Notification Appliance chk. #3	4D	408	Quick Arm	81	BYPASSES - 570		
327	Notification Appliance chk. #4	4E	409	Keypad Open/Close	82	570	Zone Bypass	B5
SYSTEM PERIPHERAL TROUBLES - 330 & 340			REMOTE ACCESS - 410			571	Fire Bypass	B6
330	System Peripheral	4F	411	Callback Request Made	83	572	24-Hour Zone Bypass	B7
331	Polling Loop Open	50	412	Successful - Download Access	84	573	Burglary Bypass	B8
332	Polling Loop Short	51	413	Unsuccessful Access	85	574	Group Bypass	B9
333	Expansion Module Failure	52	414	System Shutdown	86	575	Swinger Bypass	BA
334	Repeater Failure	53	415	Dialer Shutdown	87	576	Access Zone Shunt	BB
335	Local Printer Paper Out	54	416	Successful Upload	88	577	Access Point Bypass	BC
336	Local Printer Failure	55	ACCESS CONTROL - 420			TEST/MISC. - 600		
337	Exp. Module DC Low	56	421	Access Denied	89	601	Manual Trigger Test	BD
338	Exp. Module Low Batt	57	422	Access Report By User	8A	602	Periodic Test Report	BE
339	Exp. Module Reset	58	423	Forced Access	8B	603	Periodic RF Transmission	BF
341	Exp. Module Tamper	59	424	Egress Denied	8C	604	Fire Test	C0
342	Exp. Module AC Lost	5A	425	Egress Granted	8D	605	Status Report to Follow	C1
343	Exp. Module Self-Test Fail	5B	426	Access Door Propped Open	8E	606	Listen-in to Follow	C2
344	RF Receiver Jam Detected	5C	427	Access Point Door Status Monitor trouble	8F	607	Walk Test Mode	C3
COMMUNICATION TROUBLES - 350 & 360			428	Access Point Request to Exit	90	608	Periodic Test - System Trouble Present	C4
350	Communication	5D	429	Access Program Mode Entry	91	609	Video Xmitter Active	C5
351	Telco Fault 1	5E	430	Access Program Mode Exit	92	611	Point Test Ok	C6
352	Telco Fault 2	5F	431	Access Threat Level Change	93	612	Point Not Tested	C7
353	Long Range Radio	60	432	Access Relay/Trigger Fail	94	613	Intrusion Zone Walk Tested	C8
354	Fail to Communicate	61	433	Access RTE Shunt	95	614	Fire Zone Walk Tested	C9
355	Loss of Radio Supervision	62	434	Access DSM Shunt	96	615	Panic Zone Walk Tested	CA
356	Loss of Central Polling	63	441	Armed Stay	97	616	Service Request	CB
357	Long Range Radio VSWR problem	64	442	Keypad Armed Stay	98	621	Event Log Reset	CC
PROTECTION LOOP TROUBLES - 370			SPECIAL TROUBLES - 450 & 460			622	Event Log 50% Full	CD
370	Protection Loop	65	450	Exception Open/Close	99	623	Event Log 90% Full	CE
371	Protection Loop Open	66	451	Early Open/Close	9A	624	Event Log Overflow	CF
372	Protection Loop short	67	452	Late Open/Close	9B	625	Time/Date Reset	D0
373	Fire Trouble	68	453	Failed to Open	9C	626	Time/Date Inaccurate	D1
374	Exit Error Alarm	69	454	Failed to Close	9D	627	Program Mode Entry	D2
375	Panic Zone Trouble	6A	455	Auto-Arm Failed	9E	628	Program Mode Exit	D3
376	Hold-up Zone Trouble	6B	456	Partial Arm	9F	629	32 Hour Event Log Marker	D4
377	Swinger Trouble	6C	457	User Exit Error	A0	630	Schedule Change	D5

VDMP3 Installation Instructions

VDMP3 Installation Instructions

Step	EVO section	English
1 Install		<ul style="list-style-type: none"> Power down the EVO control panel. Install the VDMP3 directly on the EVO control panel's DIALER and EBUS connectors as shown in "VDMP3 Installation Diagram" Power up the EVO control panel.

VDMP3 Installation Diagram



VDMP3 Setup Instructions

Step	EVO section	English
1 Enable Functions	[3090]	Select the following options to enable voice reporting and arm/disarm function. [1] Arm/disarm (default 1 and 2 ON) [2] Voice reporting
2 Telephone Numbers	[3091] to [3098]	Program up to 8 telephone numbers which will be called in sequence in the event of an alarm. Telephone numbers should be programmed in priority sequence as the VDMP3 will start with telephone number 1. For extra key functions, see <i>Special Telephone Number Keys</i> on page 40. [3091] Telephone number 1 [3095] Telephone number 5 [3092] Telephone number 2 [3096] Telephone number 6 [3093] Telephone number 3 [3097] Telephone number 7 [3094] Telephone number 4 [3098] Telephone number 8
3 Enable Numbers	[3133] to [3833]	Choose which telephone numbers will be enabled for each partition in your system. Options [1] to [8] represent telephone numbers 1 through 8. (Default: Telephone number 1 is enabled for all partitions.) [3133] Partition 1 [1] to [8] [3533] Partition 5 [1] to [8] [3233] Partition 2 [1] to [8] [3633] Partition 6 [1] to [8] [3333] Partition 3 [1] to [8] [3733] Partition 7 [1] to [8] [3433] Partition 4 [1] to [8] [3833] Partition 8 [1] to [8]
4 Answering Machine Override	[3052]	If the VDMP3 uses a telephone line that is connected to an answering machine or service, the Answering Machine Override must be programmed. The value programmed in section [3052] represents the delay period that the VDMP3 will wait between the first and second call. The user must call the VDMP3, hang up, and then call back within the value programmed in section [3052]. The module then overrides the answering machine or service by picking up the line on the first ring. 000 to 225 seconds (default 008) Note: Changing these values will also affect PC communication via WinLoad software.
5 Enable Features (PGM)	[3087]	Features in this section correspond to utility key PGMs in the EVO control panel. For more information, see Feature Activation (PGMs). Options [1] to [8] represent features 1 to 8 (default: OFF)
6 Message Delay	[3088]	After the VDMP3 dials a phone number, it waits the programmed delay period before sending the voice message. The value programmed in section [3088] represents the length of time the VDMP3 will wait before playing the message. 000 to 127 seconds (default 003)
7 Message Repetitions	[3089]	Set the number of times the VDMP3 will play the voice message. 000 to 008 repetitions (default 008)
8 Delay Before Next Number	[3054]	Set the delay before the VDMP3 attempts to dial the next number on the list. 000 to 255 seconds (default 020) Note: Changing these values will also affect regular reporting to monitoring station.
9 Ring Counter	[3051]	Set the number of rings the VDMP3 will wait before the call is answered. 000 to 008 rings (default 008) Note: Changing these values will also affect PC communication via WinLoad software.

Feature Activation (PGMs)

Using the VDMP3, it is possible to activate the PGM utility keys or PGM groups that are programmed in the EVO panel. VDMP3 feature numbers do not necessarily correspond to EVO utility key numbers.

For example:

VDMP3 Feature	EVO Utility Key	VDMP3 Feature	EVO Utility Key
Feature 1 ON	Utility Key 1	Feature 5 ON	Utility Key 9
Feature 1 OFF	Utility Key 2	Feature 5 OFF	Utility Key 10
Feature 2 ON	Utility Key 3	Feature 6 ON	Utility Key 11
Feature 2 OFF	Utility Key 4	Feature 6 OFF	Utility Key 12
Feature 3 ON	Utility Key 5	Feature 7 ON	Utility Key 13
Feature 3 OFF	Utility Key 6	Feature 7 OFF	Utility Key 14
Feature 4 ON	Utility Key 7	Feature 8 ON	Utility Key 15
Feature 4 OFF	Utility Key 8	Feature 8 OFF	Utility Key 16



If the utility key in the EVO panel is programmed with a timer, the VDMP3 will not recognize PGM deactivation when the set timer elapses. As a result, the VDMP3 may indicate that the PGM is ON when actually the timer has elapsed and the PGM is in fact OFF

LCD Keypad Programming



The keypad's serial number can be found on the keypad's PC board. The keypad's serial number can also be viewed by pressing and holding the **[0]** key, entering the **[INSTALLER CODE]** and then entering section **[0000]** The version of the keypad's firmware can also be seen in that section.

△ = Default setting

SECTION [001] : Keypad Partition Assignment

Option	OFF	ON
[1] Partition 1	<input type="checkbox"/> Disabled	△ Enabled
[2] Partition 2	<input type="checkbox"/> Disabled	△ Enabled
[3] Partition 3	<input type="checkbox"/> Disabled	△ Enabled
[4] Partition 4	<input type="checkbox"/> Disabled	△ Enabled
[5] Partition 5	<input type="checkbox"/> Disabled	△ Enabled
[6] Partition 6	<input type="checkbox"/> Disabled	△ Enabled
[7] Partition 7	<input type="checkbox"/> Disabled	△ Enabled
[8] Partition 8	<input type="checkbox"/> Disabled	△ Enabled

SECTION [002]: Assigning Doors to Partitions †

Option	OFF	ON
[1] Door Assigned to Partition 1	<input type="checkbox"/> Disabled	△ Enabled
[2] Door Assigned to Partition 2	△ Disabled	<input type="checkbox"/> Enabled
[3] Door Assigned to Partition 3	△ Disabled	<input type="checkbox"/> Enabled
[4] Door Assigned to Partition 4	△ Disabled	<input type="checkbox"/> Enabled
[5] Door Assigned to Partition 5	△ Disabled	<input type="checkbox"/> Enabled
[6] Door Assigned to Partition 6	△ Disabled	<input type="checkbox"/> Enabled
[7] Door Assigned to Partition 7	△ Disabled	<input type="checkbox"/> Enabled
[8] Door Assigned to Partition 8	△ Disabled	<input type="checkbox"/> Enabled

SECTION [003]: General Options 1

Option	OFF	ON
[1] Display code entry	△ Disabled	<input type="checkbox"/> Enabled
[2] Display exit delay	△ Disabled	<input type="checkbox"/> Enabled
[3] Display entry delay	△ Disabled	<input type="checkbox"/> Enabled
[4] Confidential Mode (not for UL installations)	△ Disabled	<input type="checkbox"/> Enabled
[5] To exit Confidential Mode	△ Enter code	<input type="checkbox"/> Press Button
[6] Future Use	<input type="checkbox"/> N/A	<input type="checkbox"/> N/A
[7] Future Use	<input type="checkbox"/> N/A	<input type="checkbox"/> N/A
[8] Time display option	△ yy/mm/dd	<input type="checkbox"/> dd/mm/yy

SECTION [004]: General Options 2

Option	OFF	ON
[1] Mute Keypad	△ Disabled	<input type="checkbox"/> Enabled
[2] Exit Delay Beep	<input type="checkbox"/> Disabled	△ Enabled
[3] Door Left Open Pre-Alarm †	<input type="checkbox"/> Disabled	△ Enabled
[4] Chime on Zone Closure	△ Disabled	<input type="checkbox"/> Enabled
[5] Door Left Open Alarm Feedback †	<input type="checkbox"/> Silent	△ Audible
[6] Door Left Open Alarm Follows †	△ Alarm restore	<input type="checkbox"/> Beep Timer
[7] Door Forced Alarm †	<input type="checkbox"/> Silent	△ Audible
[8] Door Forced Alarm †	△ Alarm restore	<input type="checkbox"/> Beep Timer

SECTION [005] : Beep on Trouble

Option	OFF	ON
[1] System & Clock Trouble Beep	△ Disabled	<input type="checkbox"/> Enabled
[2] Communicator Trouble Beep	△ Disabled	<input type="checkbox"/> Enabled
[3] Module & Combust Trouble Beep	△ Disabled	<input type="checkbox"/> Enabled
[4] All Zone Trouble Beep	△ Disabled	<input type="checkbox"/> Enabled
[5] to [6] Future Use	<input type="checkbox"/> N/A	<input type="checkbox"/> N/A
[7] Time Format	△ 24Hr clock	<input type="checkbox"/> 12Hr clock
[8] Audible Feedback on Access Request*	<input type="checkbox"/> Disabled	△ Enabled

SECTION [006]: PGM and Tamper Options

Option	OFF	ON
[1] PGM State‡	△ N.O.	<input type="checkbox"/> N.C.
[2] PGM Deactivation Mode‡	△ Deactivation Event	<input type="checkbox"/> PGM Timer
[3] PGM Base Time‡	△ 1 second	<input type="checkbox"/> 1 minute
[4] PGM Override‡	△ Disabled	<input type="checkbox"/> Enabled
[5] Keypad Tamper	△ Disabled	<input type="checkbox"/> Enabled
[6] to [8] Future Use	<input type="checkbox"/> N/A	<input type="checkbox"/> N/A

* Section/option is only available with EVO641 / EVO641R keypads

† Section/option is only available with LCD keypad with built-in reader

‡ Section/option is only available with standard LCD keypad

SECTION [006]: General Options 3 (EVO641R only)

Option		OFF	ON
[1]	Card Activates Door Unlocked Schedule	<input type="checkbox"/> Disabled.	<input checked="" type="checkbox"/> Enabled
[2]	Door Left Open Alarm	<input checked="" type="checkbox"/> Disabled	<input type="checkbox"/> Enabled
[3]	Door Forced Open Alarm	<input checked="" type="checkbox"/> Disabled	<input type="checkbox"/> Enabled
[4]	Future Use	<input type="checkbox"/> N/A	<input type="checkbox"/> N/A
[5]	Keypad Tamper	<input checked="" type="checkbox"/> Disabled	<input type="checkbox"/> Enabled
[6]	Relock Door	<input checked="" type="checkbox"/> After Opening	<input type="checkbox"/> After Closing
[7]	Future Use	<input type="checkbox"/> N/A	<input type="checkbox"/> N/A
[8]	Unlock on REX	<input checked="" type="checkbox"/> Disabled	<input type="checkbox"/> Enabled

Section	Data	Description	Default
[007]	__/_/__(005 to 255 seconds)	Confidential Mode Timer	120
[008]	__/_/__(000 to 255; see option [3] in section [006])	PGM Timer ‡	005
[008]	__/_/__(000 to 255 seconds)	Door Unlocked Period †	005
[009]	__/_/__(000 to 255 seconds added to section [008])	Door Unlocked Period Extension †	015
[010]	__/_/__(000 to 255 seconds)	Door Left Open Interval †	060
[011]	__/_/__(000 to 25 seconds)	Door Left Open Pre-Alarm Timer †	015
[012]	__/_/__(000 to 25 seconds)	Beep Timer for Door Left Open Alarm †	005
[013]	__/_/__(000 to 25 seconds)	Beep Timer for Door Forced Open Alarm †	005

† Section/option is only available with LCD keypad with reader.

‡ Section/option is only available with LCD keypads.

Section [017] Door Unlocked Schedule (EVO641R only)

	Start Time	End Time	Days (turn ON or OFF)
			S M T W T F S H
Schedule A:	____ : ____	____ : ____	1 2 3 4 5 6 7 8
Schedule B:	____ : ____	____ : ____	1 2 3 4 5 6 7 8

SECTION [018]: Beeping Assignment*

Option		OFF	ON
[1]	Partition 1	<input type="checkbox"/> Mute	<input checked="" type="checkbox"/> Audible
[2]	Partition 2	<input type="checkbox"/> Mute	<input checked="" type="checkbox"/> Audible
[3]	Partition 3	<input type="checkbox"/> Mute	<input checked="" type="checkbox"/> Audible
[4]	Partition 4	<input type="checkbox"/> Mute	<input checked="" type="checkbox"/> Audible
[5]	Partition 5	<input type="checkbox"/> Mute	<input checked="" type="checkbox"/> Audible
[6]	Partition 6	<input type="checkbox"/> Mute	<input checked="" type="checkbox"/> Audible
[7]	Partition 7	<input type="checkbox"/> Mute	<input checked="" type="checkbox"/> Audible
[8]	Partition 8	<input type="checkbox"/> Mute	<input checked="" type="checkbox"/> Audible

*Available only with EVO641 / EVO641R keypads.

	Event Group	Feature Group	Start #	End #
	Section	Section	Section	Section
PGM Activation	[009] __/_/__	[010] __/_/__	[011] __/_/__	[012] __/_/__
PGM Deactivation	[013] __/_/__	[014] __/_/__	[015] __/_/__	[016] __/_/__



All Event Groups except groups 064 to 067 can be used to program the module's PGM. See "Programmable Outputs" on page 21.

Message Programming

Each section from [101] to [148], [200] to [204] and [301] to [396] contains one message with a maximum of 16 characters. The sections contain the following messages:

Sections [101] to [148] = "Zone 01" to "Zone 48" respectively

Section [200] = "Paradox Security"

Sections [201] to [204] = "First Area", "Second Area", "Third Area", and "Fourth Area"

Sections [301] to [396] = "Code 01" to "Code 96" respectively

After entering the section corresponding to the desired message, the message can be re-programmed to suit your installation needs as detailed in Table 2. For example, section [101] "Zone 01" can be changed to "FRONT DOOR".

Table 2: Message Programming Special Function Keys

Key	Function	Details
[STAY]	Insert Space	Press the [STAY] key to insert a blank space at the current cursor's position.
[FORCE]	Delete	Press the [FORCE] key to delete the character or blank space found at the current cursor's position.
[ARM]	Delete Until the End	Press the [ARM] key to delete all characters and spaces to the right of the cursor and at the cursor's position.
[DISARM]	Numeric/Alphanumeric	Press the [DISARM] key to toggle the numeric keys to alphanumeric keys and vice versa. Numeric: Keys [0] to [9] represent numbers 0 to 9. Alphanumeric: refer to Table 3 below.
[BYP]	Lower/Upper Case	Press the [BYP] key to toggle from lower to upper case and vice versa.
[MEM]	Special Characters	After pressing the [MEM] key, the cursor will turn into a flashing black square. Using Table 4 below, enter the 3-digit number for the desired character.

Table 3: Alphanumeric Keys

Key	Press Key Once	Press Key Twice	Press Key Three Times
[1]	A	B	C
[2]	D	E	F
[3]	G	H	I
[4]	J	K	L
[5]	M	N	O
[6]	P	Q	R
[7]	S	T	U
[8]	V	W	X
[9]	Y	Z	

Table 4: Special Characters

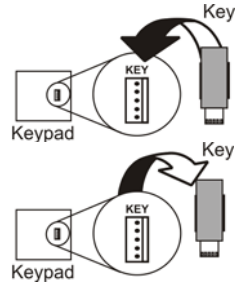
032	048	064	080	096	112	128	144	160	176	192	208
	0	@	P	`	p	Û	Ê	ã	§	Ø	•
033	049	065	081	097	113	129	145	161	177	193	209
	!	A	Q	a	q	Ü	È	î	±	Ł	ˆ
034	050	066	082	098	114	130	146	162	178	194	210
	"	2	B	R	b	r	Ú	É	ï	İ	°
035	051	067	083	099	115	131	147	163	179	195	211
	#	3	C	S	c	s	Ü	Ë	í	↑	β
036	052	068	084	100	116	132	148	164	180	196	212
	\$	4	D	T	d	t	Û	ê	ï	↓	ç
037	053	069	085	101	117	133	149	165	181	197	213
	%	5	E	U	e	u	ù	è	ì	↵	®
038	054	070	086	102	118	134	150	166	182	198	214
	&	6	F	V	f	v	ú	é	ñ	f	□
039	055	071	087	103	119	135	151	167	183	199	215
	'	7	G	W	g	w	Ô	ë	ñ	£	⌂
040	056	072	088	104	120	136	152	168	184	200	216
	(8	H	X	h	x	Ó	Ä	Ñ	→	μ
041	057	073	089	105	121	137	153	169	185	201	217
)	9	I	Y	i	y	Ö	Å	ú	⇓	Ø
042	058	074	090	106	122	138	154	170	186	202	218
	*	:	J	Z	j	z	Ω	â	g	↑	ÿ
043	059	075	091	107	123	139	155	171	187	203	219
	+	;	K	[k	{	ô	â	v	⇓	Ä
044	060	076	092	108	124	140	156	172	188	204	220
	,	<	L	¥	l		ò	à	v	¶	¢
045	061	077	093	109	125	141	157	173	189	205	221
	-	=	M]	m	}	ó	á	w	½	ã
046	062	078	094	110	126	142	158	174	190	206	222
	.	>	N	^	n	→	õ	ä	Ω	⅓	Ö
047	063	079	095	111	127	143	159	175	191	207	223
	/	?	O	_	o	←	ı	Ä	Æ	¼	õ

Using the Memory Key

- [510]** Download all from the Memory Key (LCD keypad sections **[001]** to **[396]** and all labels and messages) to the LCD keypad.
- [520]** Copy the LCD keypad sections **[001]** to **[396]** and all labels and messages to the Memory Key.

Download Contents of the Memory Key to the LCD Keypad

- 1) Insert the Memory Key onto the keypad's connector labelled "KEY".
- 2) To download the contents of the Memory Key, enter the keypad's programming mode and enter section **[510]**.
- 3) Once the keypad emits a confirmation beep, wait for a second confirmation beep and then remove the Memory Key.



Copy Contents of the LCD Keypad to the Memory Key

- 1) Insert Memory Key onto the keypad's connector labelled "KEY". Ensure that the write protect jumper is on (refer to *Using the Memory Key* below).
- 2) To copy the contents to the Memory Key, enter the keypad's programming mode and enter section **[520]**.
- 3) Once the keypad emits a confirmation beep, wait for a second confirmation beep and then remove the Memory Key. Remove the Memory Key's jumper if you do not wish to accidentally overwrite its contents.

Memory Key (PMC-5)



! *The memory key will only function with a keypad that has the DGP2 or DNE prefix in the model number. Only the PMC-4 or PMC-5 memory key will function with DGP2 and DNE keypads.*

Combus Voltmeter

To verify if the combus is supplying sufficient power, press and hold the [0] key, enter the [INSTALLER CODE] and press the [ACC] button. A reading of 10.5V or lower indicates at a distant module that the voltage is too low. The voltage may drop during the control panel battery test.

Updating Firmware Using WinLoad

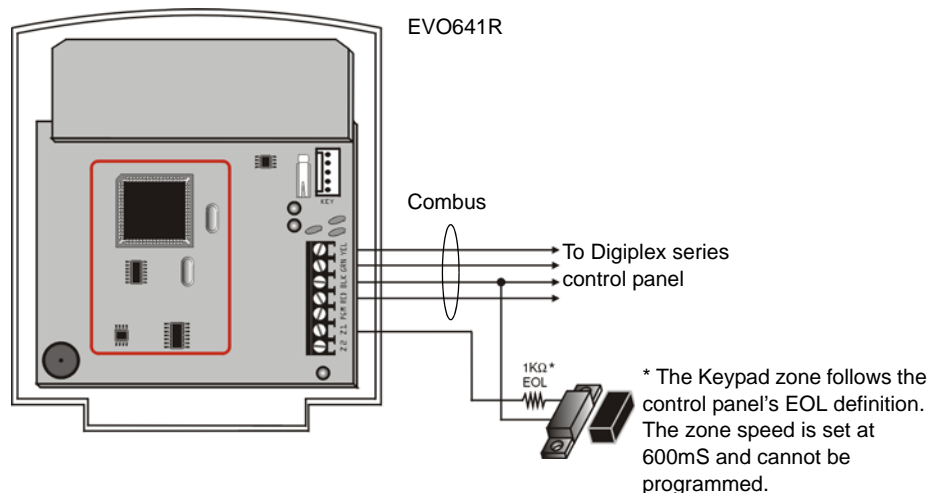
To update your system firmware:

- 1) Connect the product to your computer using a 307USB Direct Connect Interface or CONV4USB Converter.
 - 2) Start WinLoad Installer Upload/Download Software.
 - 3) Click the **In-field Programmer** button.
 - 4) Verify the product information located in the In-Field Firmware Programmer window.
 - 5) If the firmware programmer does not automatically detect your control panel, click the **Com port settings** button and select the correct Com port. Then click the **Refresh Product Info** button to connect with the panel.
 - 6) To check for new updates, click the **Download Firmware from the web** button.
 - 7) From the Select Firmware drop-down box, select the firmware version you wish to install.
- or
- If you have already downloaded the .pef file from paradox.com, click the [...] button and select the location of the .pef file.
- 8) Click the **Update product firmware** button.

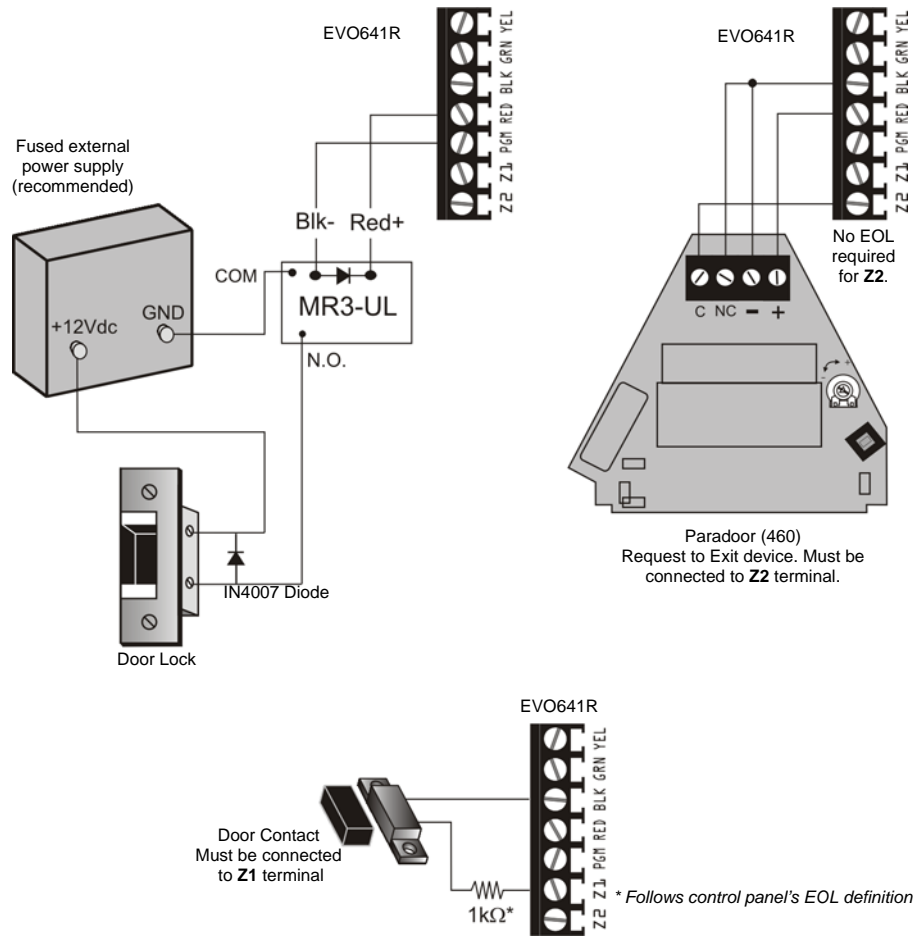
When the download process finishes, the update is complete.

Connecting the Keypad and Keypad Zone

! *The keypad's tamper switch will communicate its status to the control panel via the combus*



Access Control Connections (EVO641R only)



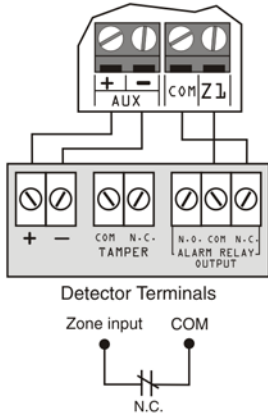
If a door contact is not being used, install a jumper or a 1kΩ resistor across the BLK and Z1 terminals depending on the control panel's EOL definition.

If the REX (Request for Exit) device is not being used, place a jumper across the BLK and Z2 terminals.

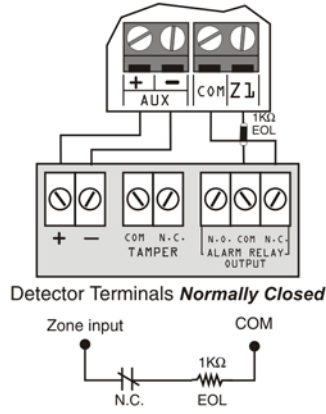
Control Panel Hardware Connections

Single Zone Inputs

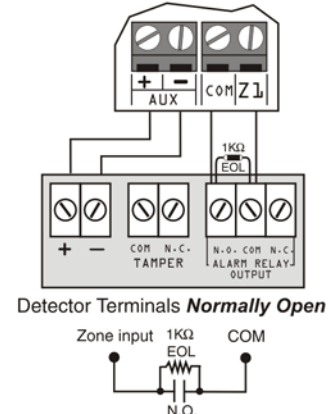
N.C. Contacts, No EOL
CONTROL PANEL TERMINALS



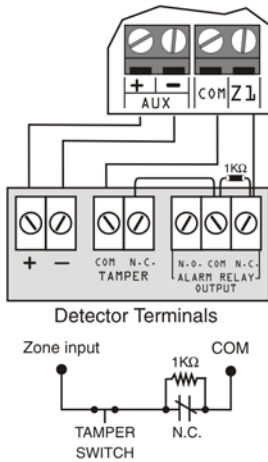
N.C., With EOL (UL/ULC Configuration)
CONTROL PANEL TERMINALS



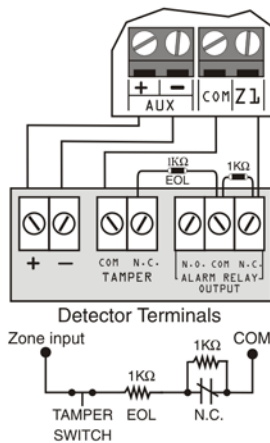
N.O., With EOL (UL/ULC Configuration)
CONTROL PANEL TERMINALS



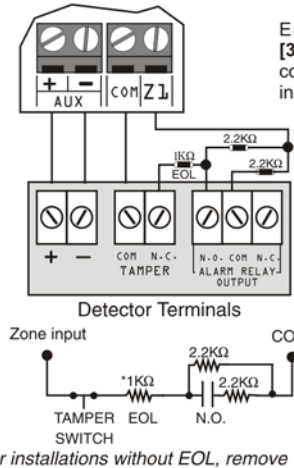
N.C. Contacts, No EOL, With Tamper Recognition
CONTROL PANEL TERMINALS



N.C. With EOL, With Tamper & Wire Fault Recognition
UL/ULC Configuration
CONTROL PANEL TERMINALS



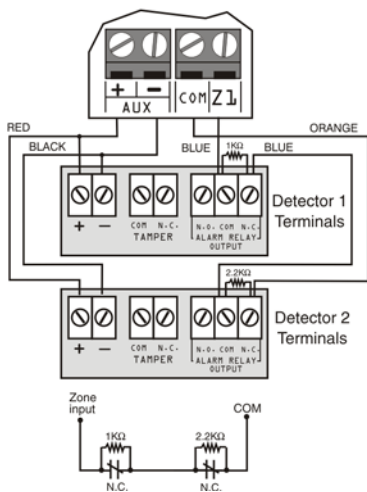
N.O., With EOL, With Tamper & Wire Fault Recognition
CONTROL PANEL TERMINALS



ATZ - Double Zone Inputs

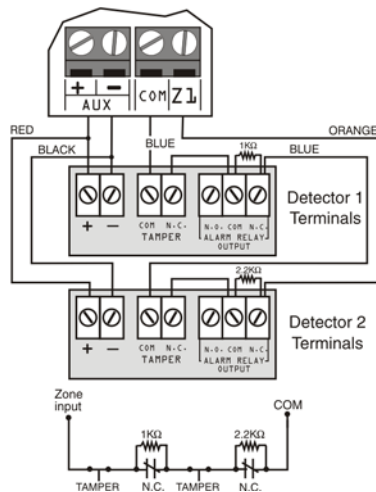
N.C., No EOL Resistor

CONTROL PANEL TERMINALS



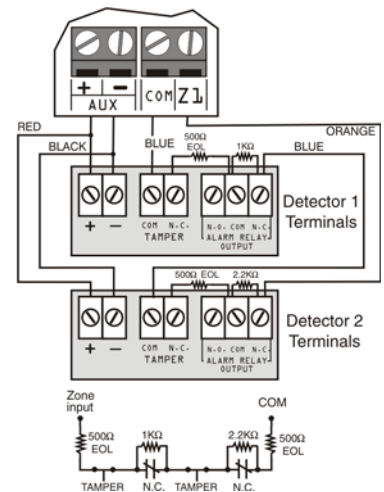
N.C., No EOL, With Tamper Recognition

CONTROL PANEL TERMINALS



N.C., With EOL and Tamper & Wire Fault Recognition (UL/ULC)

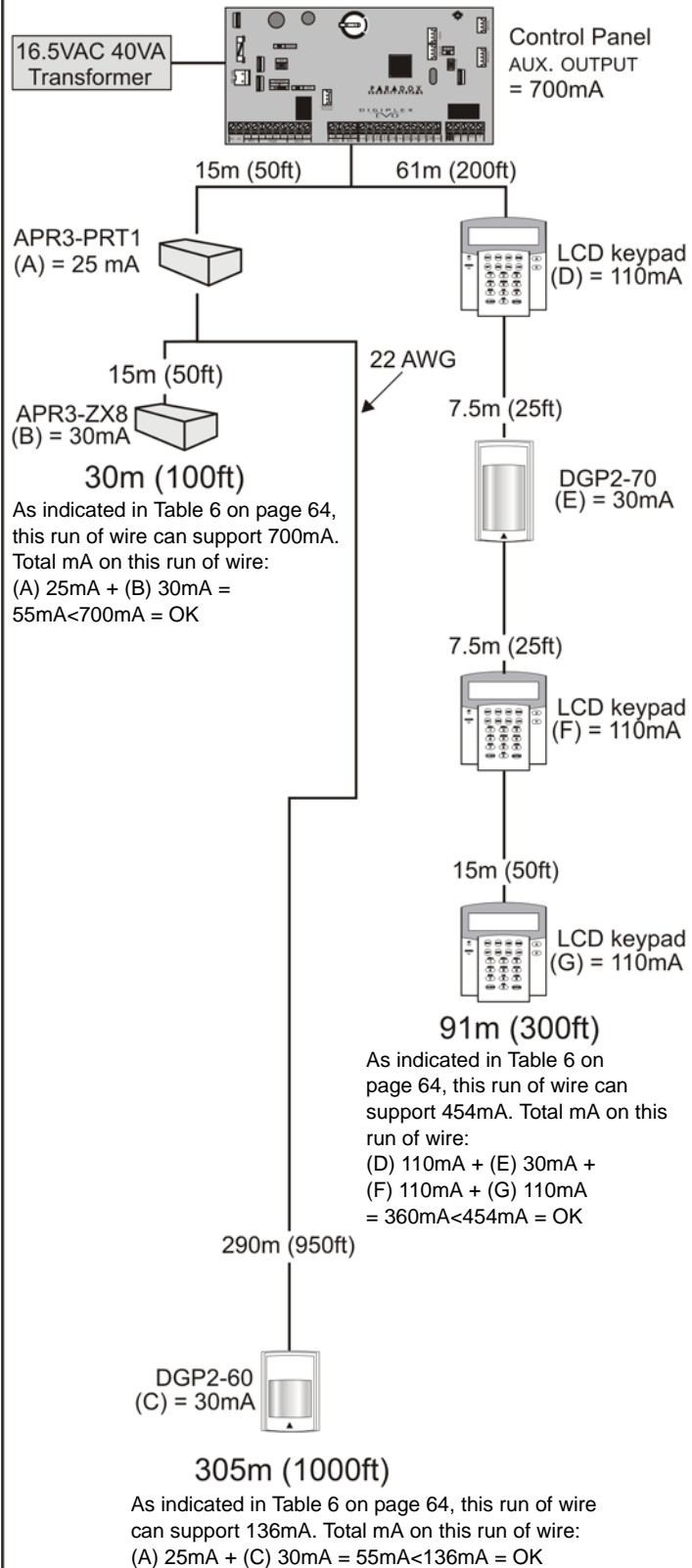
CONTROL PANEL TERMINALS



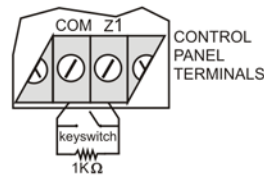
Connections

Example: Sample Power Requirement Calculations

Power required by devices connected to control panel's auxiliary output must not exceed the auxiliary output's limit:
 $(A) + (B) + (C) + (D) + (E) + (F) + (G) = 445\text{mA} < 700\text{mA} = \text{OK}$

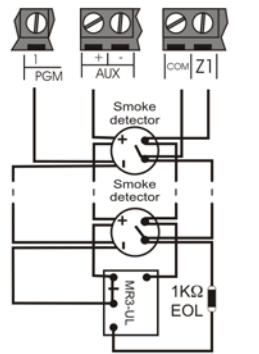


Keyswitch Connections



Fire Zones UL/ULC Installation

Control Panel Terminals

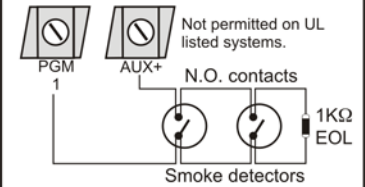


SINGLE FIRE ZONE CONNECTIONS ONLY. If the ATZ feature is enabled, do not use the extra input (i.e. in the above example, input 013 cannot be used as a zone).

Note: It is recommended that the smoke detectors be connected in a daisy chain configuration.

2-Wire Smoke Detector Input

Option [1] in section [3030] must be enabled. PGM1 becomes control panel input # 255.

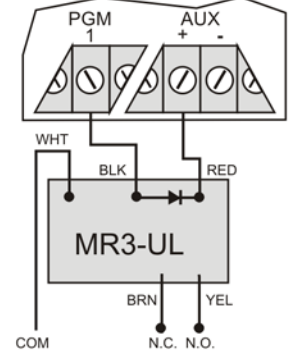


When using ESL smoke detectors with the CleanMe™ feature, do not connect more than 20 detectors in parallel.

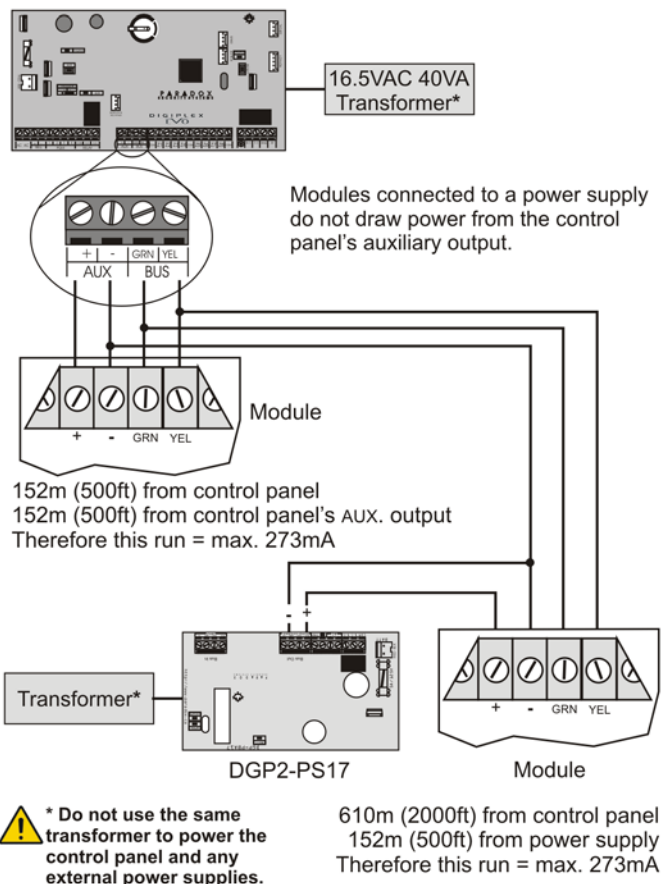
Note: It is recommended that the smoke detectors be connected in a daisy chain configuration.

PGM: Relay Output

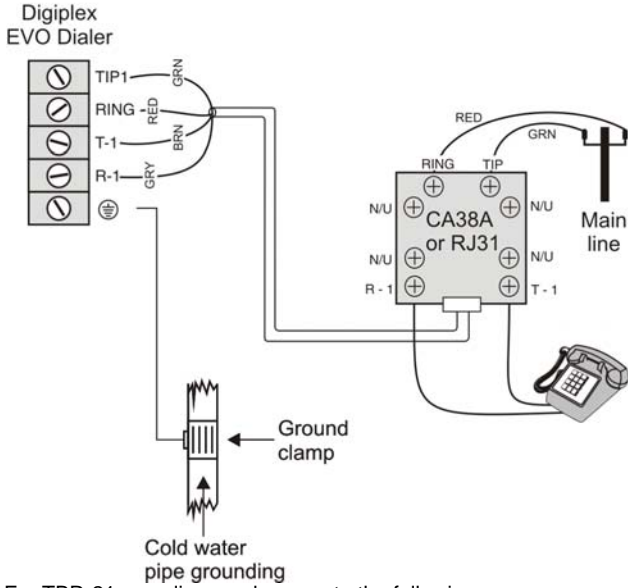
CONTROL PANEL TERMINALS



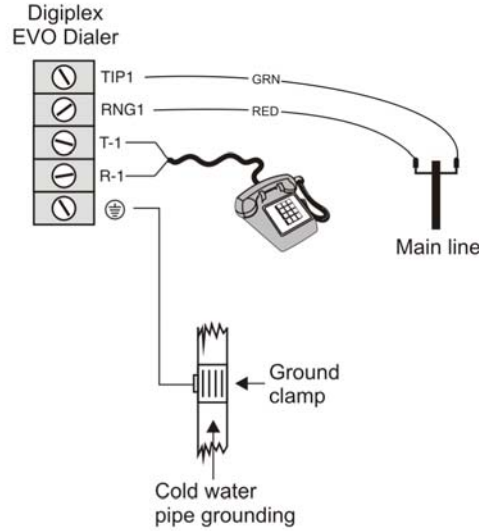
External Power Supply Connections



Telephone Line Connections



OR



For TBR-21 compliance, please note the following:

- 1) The EVO panel can be connected to the telephone network via an RJ-11 connector.
- 2) The Maximum Dialing Attempts cannot exceed 15 attempts (section [3056] on page 39).

Table 5: Milliamp Consumption Table

Description	QTY.	mA used by each	Total mA
Grafica Graphic LCD Keypads (DNE-K07):	_____	X 130mA =	_____ mA
LCD Keypads (EVO641):	_____	X 110mA =	_____ mA
LCD Keypads with Built-in Reader (EVO641R):	_____	X 120mA =	_____ mA
LED Keypads (DGP2-648):	_____	X 110mA =	_____ mA
Motion Detector Modules (DG85, DGP2-50/60/70):	_____	X 30mA =	_____ mA
Door Contact Modules (DGP2-ZC1):	_____	X 15mA =	_____ mA
1-Zone Expansion Modules (DGP2-ZX1):	_____	X 30mA =	_____ mA
4-Zone Expansion Modules (APR3-ZX4):	_____	X 30mA =	_____ mA
8-Zone Expansion Modules (APR-ZX8):	_____	X 30mA =	_____ mA
Magellan Wireless Expansion Modules (MG-RTX3):	_____	X 35mA =	_____ mA
4-PGM Expansion Modules (APR3-PGM4):	_____	X 150mA =	_____ mA
Printer Modules (APR-PRT3):	_____	X 25mA =	_____ mA
DVACS Modules (DGP2-DVAC):	_____	X 40mA =	_____ mA
Annunciator Modules (DGP2-ANC1):	_____	X 20mA =	_____ mA
InTouch Voice-Assisted Arm/Disarm Modules (APR3-ADM2):	_____	X 105mA =	_____ mA
Hub and Bus Isolator (APR3-HUB2):	_____	X 50mA =	_____ mA
Access Control Module (DGP-ACM12): Note: The DGP-ACM12 consumes 130mA from its own power supply or 120mA when connected on the bus for power.	_____	X 120mA =	_____ mA
Listen-In Module (DGP-LSN4)	_____	X 60mA =	_____ mA
Internet Module (IP100)	_____	X 110mA =	_____ mA
Plug-In Voice Module (VDMP3)	_____	X 35mA =	_____ mA
Other devices such as hardwired motion detectors	_____		_____ mA
Maximum available milliamps = 700mA		GRAND TOTAL	_____ mA

STEP 1: Using Table 5, calculate the total number of milliamps (mA) required by each device, module, and accessory in the system. Please take into account devices connected to the control panel's PGM outputs. Since the BELL output has its own power supply, do not include the sirens connected to it in the calculation.

STEP 2: If the Grand Total is less than 700mA, go to step 3. If the value is greater, you will require an external power supply (see *External Power Supply Connections* drawing on page 62) to provide the additional power needed. Proceed with step 3 and refer to the example (*Sample Power Requirement Calculations* drawing) on page 62.

STEP 3: Due to the degradation of a power signal over long distances (if this were the case, we recommend connecting a Paradox Power Supply Module, DGP2-PS17), **EACH** length or run of wire in the system can support only a specific number of milliamps (mA). Using Table 6, determine how many milliamps each length of wire can support. Please note that the total number of milliamps (mA) can never surpass 700mA.

Table 6: Milliamp (mA) Limitations For Each Run of Wire

Gauge: 18AWG, Surface: 0.823mm ²	
Length of each run of wire	Available Milliamps (mA)
30m(100ft.)	700
61m(200ft.)	700
91m(300ft.)	700
122m(400ft.)	700
152m(500ft.)	690
183m(600ft.)	575
213m(700ft.)	493
244m(800ft.)	431
274m(900ft.)	383
305m(1000ft.)	345
457m(1500ft.)	230
610m(2000ft.)	172
762m(2500ft.)	138
914m(3000ft.)	115

Gauge: 22AWG, Surface: 0.326mm ²	
Length of each run of wire	Available Milliamps (mA)
30m(100ft.)	700
61m(200ft.)	682
91m(300ft.)	454
122m(400ft.)	341
152m(500ft.)	273
183m(600ft.)	227
213m(700ft.)	195
244m(800ft.)	170
274m(900ft.)	151
305m(1000ft.)	136

Gauge: 24AWG, Surface: 0.205mm ²	
Length of each run of wire	Available Milliamps (mA)
30m(100ft.)	700
61m(200ft.)	429
91m(300ft.)	286
122m(400ft.)	214
152m(500ft.)	171
183m(600ft.)	143

Connecting the Combus in Noisy Environments

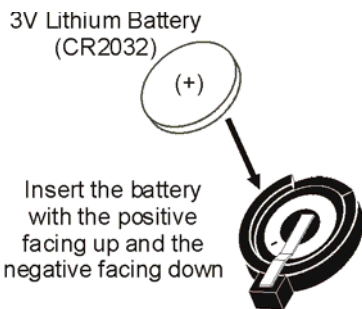
When installing the combus wires in proximity to high electrical interference such as neon lights, motors, high-voltage wiring, transformers, or if connecting the combus across separate buildings, you must use shielded cables. Connect the shielded cable as detailed below:

Within the Same Building: Strip the outer jacket at one end of the shielded cable to expose the shield and connect the shield to the control panel ground (not the dialer ground), while leaving the shield at the other end of the cable open (floating).

Across Separate Buildings: Strip the outer jacket at one end of the shielded cable to expose the shield. In the same building that houses the control panel, connect the exposed shield to a cold water pipe or any other earth ground available, while leaving the shield at the other end of the cable open (floating). The same configuration applies to any subsequent building.

Built-in RTC

Digiplex EVO panels incorporates an RTC directly on the PC board. The RTC will save the control panel's internal clock when both the AC and battery power have been lost. After power is lost and then restored, the control panel will verify with and then retrieve the time from the RTC. The control panel will verify and compare its time with the time stored in the RTC every hour. If the times are different, the control panel will reset its internal clock to the time saved in the RTC. The RTC uses a 3V lithium battery (CR2032) with a battery life of 11 years. Change the battery as shown below:



Reprogram the control panel's clock after changing the battery.

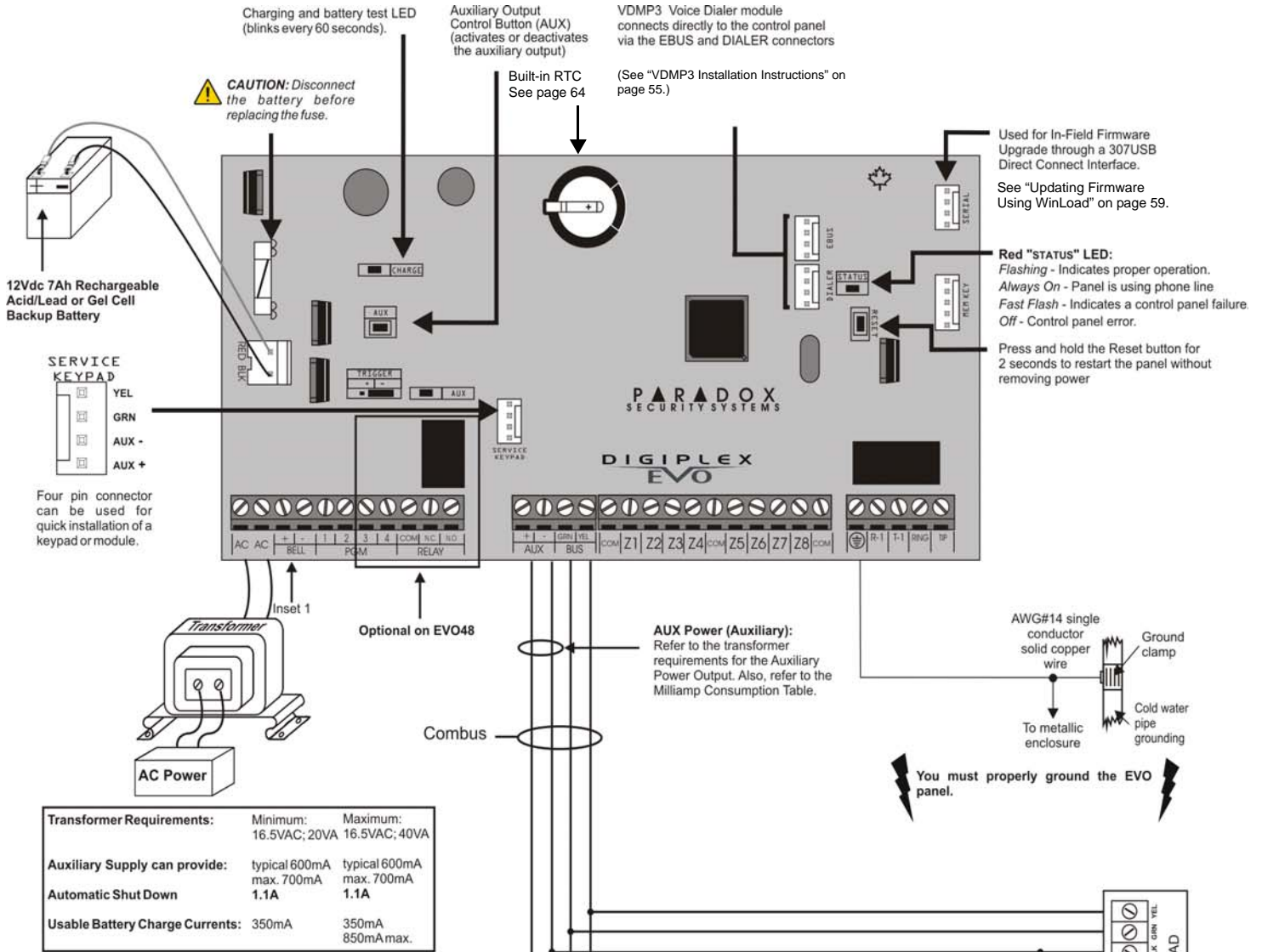


Danger of explosion exists if the lithium battery is incorrectly replaced. Replace only with the same or equivalent type recommended by the manufacturer. Dispose of used batteries according to the manufacturer's instructions.

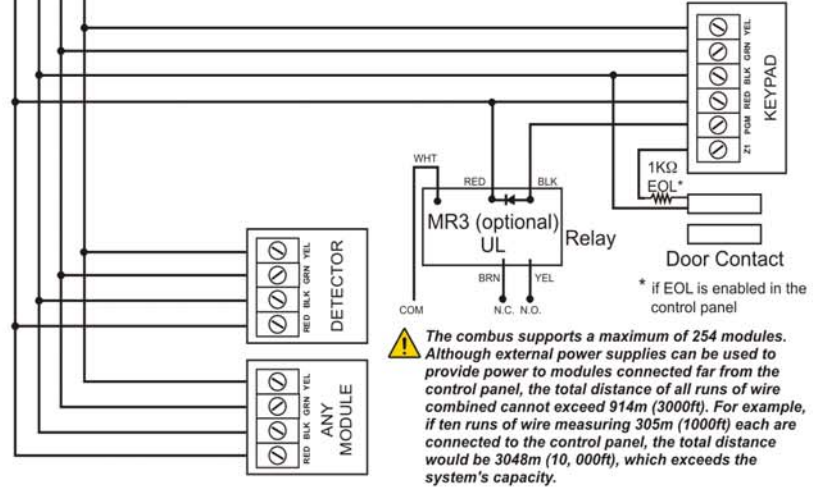
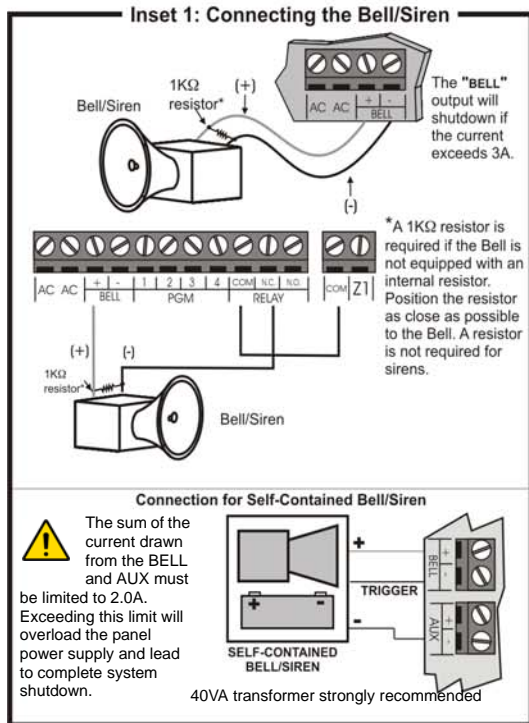


Do not connect a DGP2-TM1 Time Module to the "mem key" connector. Connecting a DGP2-TM1 will create time errors within the panel and features that use the control panel's internal clock (ex.: Auto-arming) will not function correctly.

PCB Layout



Transformer Requirements:	Minimum: 16.5VAC; 20VA	Maximum: 16.5VAC; 40VA
Auxiliary Supply can provide:	typical 600mA max. 700mA	typical 600mA max. 700mA
Automatic Shut Down	1.1A	1.1A
Usable Battery Charge Currents:	350mA	350mA 850mA max.



PLEASE NOTE:

When powering up the EVO control panel, the panel will begin a module scan to verify if all the modules connected to the panel are operational. The scanning process will take between 30 and 120 seconds to complete depending on the number of modules connected to the control panel. The module scan is complete when the LCD keypad begins to show the partition status. Only after the module scan is complete will the control panel be fully operational.

When installing the combus wires in a noisy environment, or when connecting the combus across separate buildings, you must use a shielded cable. Refer to *Connecting the Combus in Noisy Environments* on page 64.

Refer to the UL and ULC Warnings section of the EVO Reference & Installation Manual for UL and ULC warnings.

Warranty

For complete warranty information on this product please refer to the Limited Warranty Statement found on the website www.paradox.com/terms. Your use of the Paradox product signifies your acceptance of all warranty terms and conditions.

© 2002-2007 Paradox Security Systems Ltd. All rights reserved. Specifications may change without prior notice. One or more of the following US patents may apply: 7046142, 6215399, 6111256, 6104319, 5920259, 5886632, 5721542, 5287111, 5119069, 5077549 and RE39406 and other pending patents may apply. Canadian and international patents may also apply.

Digiplex, Digiplex EVO, Magellan, PosiPIN and WinLoad are trademarks or registered trademarks of Paradox Security Systems Ltd. or its affiliates in Canada, the United States and/or other countries. For the latest information on products approvals, such as UL and CE, please visit www.paradox.com.

Limitations of Alarm Systems

It must be understood that while your Paradox alarm system is highly advanced and secure, it does not offer any guaranteed protection against burglary, fire or other emergency (fire and emergency options are only available on certain Paradox models). This is due to a number of reasons, including but not limited to inadequate or improper installation/positioning, sensor limitations, battery performance, wireless signal interruption, inadequate maintenance or the potential for the system or telephone lines to be compromised or circumvented. As a result, Paradox does not represent that the alarm system will prevent personal injury or property damage, or in all cases provide adequate warning or protection.

Your security system should therefore be considered as one of many tools available to reduce risk and/or damage of burglary, fire or other emergencies, such other tools include but are not limited to insurance coverage, fire prevention and extinguish devices, and sprinkler systems.

We also strongly recommend that you regularly maintain your security systems and stay aware of new and improved Paradox products and developments.

Warning for Connections to Non-Traditional Telephony (eg. VoIP)

Paradox alarm equipment was designed to work effectively around traditional telephone systems. For those customers who are using a Paradox alarm panel connected to a non-traditional telephone system, such as "Voice Over Internet Protocol" (VoIP) that converts the voice signal from your telephone to a digital signal traveling over the Internet, you should be aware that your alarm system may not function as effectively as with traditional telephone systems.

For example, if your VoIP equipment has no battery back-up, during a power failure your system's ability to transmit signals to the central station may be compromised. Or, if your VoIP connection becomes disabled, your telephone line monitoring feature may also be compromised. Other concerns would include, without limitation, Internet connection failures which may be more frequent than regular telephone line outages.

We therefore strongly recommend that you discuss these and other limitations involved with operating an alarm system on a VoIP or other non-traditional telephone system with your installation company. They should be able to offer or recommend measures to reduce the risks involved and give you a better understanding.

WARNING: This equipment must be installed and maintained by qualified service personnel only.

Trouble Display

To view the Trouble Display on LCD or LED keypads:

- 1) Press the [TRBL] key.
- 2) **For LEDs:** Press the Numerical Symbol corresponding to the Group heading to view the specific trouble.
For LCDs: Press the number representing the trouble and use the [▲] and [▼] keys to view the specific trouble.

To view the Trouble Display on Grafica Keypads:

- 1) Enter your [ACCESS CODE].
- 2) Using the scroll keys, highlight **Trouble** and then press the center action key (**Ok**). The trouble(s) will appear by Trouble Group.
- 3) If more than one Trouble Group appears, highlight the desired group before pressing the center action key (**View**) to view the specific trouble.

TROUBLE GROUP [1]: SYSTEM			TROUBLE GROUP [2]: COMMUNICATOR	
[1] AC Failure	[4] Bell Current Limit	[7] RAM Check Error	[1] TLM1	[4] Fail to Com. 3
[2] Battery Trouble	[5] Bell Absent		[2] Fail to Com. 1	[5] Fail to Com. 4
[3] Aux. Current Limit	[6] ROM Check Error		[3] Fail to Com. 2	[6] Fail to Com. PC
TROUBLE GROUP [3]: MODULE TROUBLE			TROUBLE GROUP [4]: NETWORK (COMBUS) TROUBLES	
[1] Module Tamper	[5] Printer Trouble		[1] Missing Keypad	[6] General Failure
[2] Module ROM Check Error	[6] Module AC Failure		[2] Missing Module	[7] Combus Overload
[3] Module TLM Trouble	[7] Module Battery Failure			
[4] Module Fail to Com.	[8] Module Supply Output			
TROUBLE GROUP [5]: ZONE TAMPER			TROUBLE GROUP [6]: ZONE LOW BATTERY	
Press the [5] button to display the tampered zone or zones.			Press the [6] button to display the zone(s) assigned to wireless devices with low batteries.	
TROUBLE GROUP [7]: ZONE FAULT			TROUBLE GROUP [8]: CLOCK LOSS	
Press the [7] button to display the zone(s) experiencing a communication, a fire loop or CleanMe™ trouble.			Press the [8] button to re-program the time.	

For technical support in Canada or the U.S., call 1-800-791-1919, Monday to Friday from 8:00 a.m. to 8:00 p.m. EST.
 For technical support outside Canada and the U.S., call 00-1-450-491-7444, Monday to Friday from 8:00 a.m. to 8:00 p.m. EST.
 Please feel free to visit our website at www.paradox.com.

